



HORTI-PRO TOP LIGHTING

TECHNICAL DATASHEET

Product features

Housing material	Aluminum
Finishing	Powder coating
Optics materials	High transmission glass (transmission >90%)
Radiation angle	120°
Protection degree LED compartment	IP65 (dust and watertight)
	Lamps can be cleaned by using pressurized water, the complete electrical circuit is sealed waterproof.
Lighting impact resistance	IK08

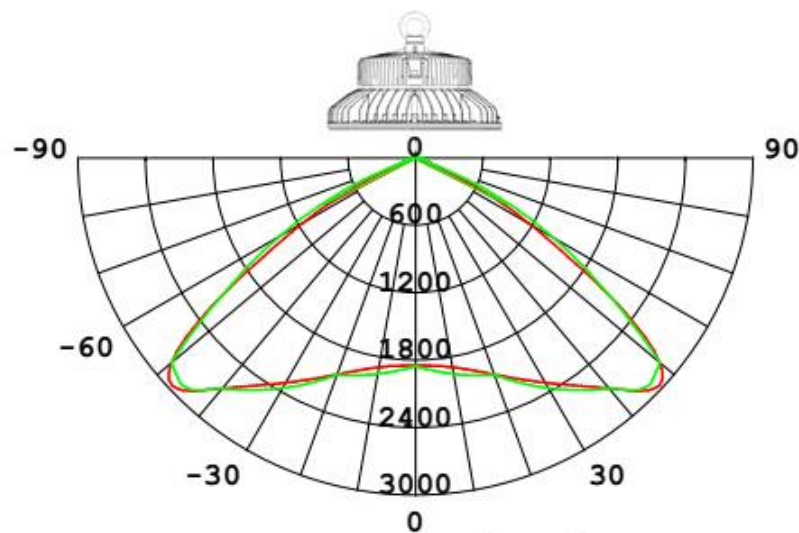
Technical data

Power*	150 W 200W (± 5%)
PF	> 0.95
Voltage range	100-240VAC /100-277 VAC
Current range	2.0A - 0.72A
Frequency range	50/60 Hz
Inrush current	< max. 25A (t< 1 msec)
Isolation class	Class I
Operation conditions	0°C to 40°C / 32°F to 104°F (95% RH)
Storage conditions	-40°C to 70°C / -40°F to 158°F (85% RH)

Optical properties

	150W	200W
Photon flux (μMol/s)	270μMol/s	360μMol/s
Efficacy (μMol/J)	1.8μMol/J (higher up to 2.5μMol/J can reach based on request)	1.8μMol/J (higher up to 2.5μMol/J can reach based on request)
Warranty	5 years	5 years

Customized lens The customized lens 60° 90° 120° etc are available



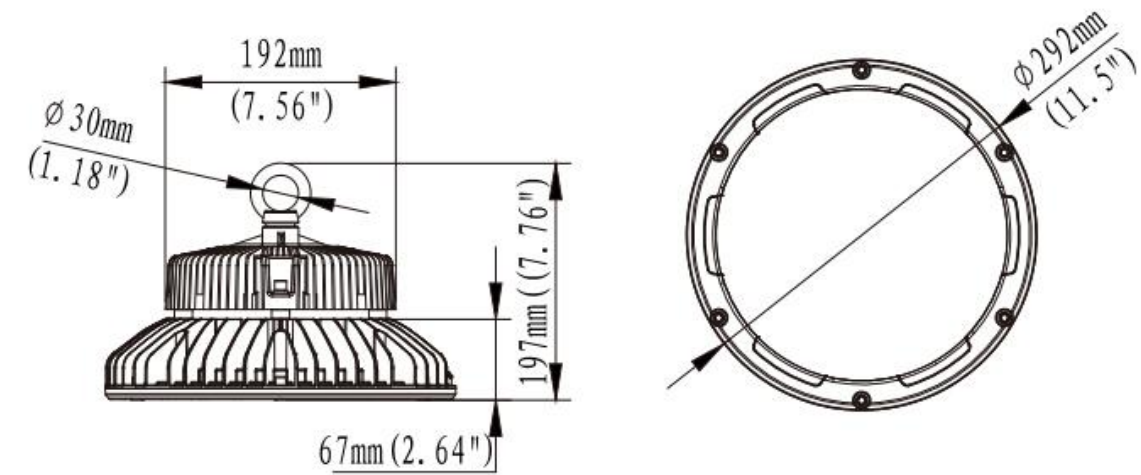
Weight and dimensions

	150W	200W
Net weight	4.6kg/10.2lbs	5.2kg/11.5lbs
Product dimensions	Φ 292x178mm/Φ 11.5"x7"	Φ 292x197mm/Φ 11.5"x7.7"

Mounting

Hanging installation

Drawings



Logistic specifications

	150W	200W
Quantity per carton	1pc	1pc
Gross weight (approx.)	5.5kg/12.2lbs	6.1kg/13.5lbs
Carton dimensions	332x332x210mm/13"x13"x8.2"	332x332x230mm/13"x13"x9"

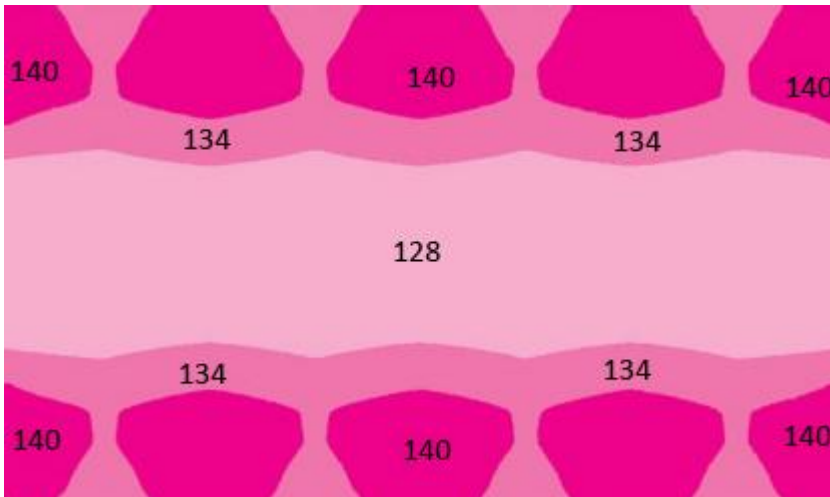
Compliance

- CE, UL, ETL, TUV certification
- Low Voltage Directive (LVD)
- Electromagnetic Compatibility Directive (EMC)
- Restriction of Hazardous Substances (RoHS) Directive

PPFD map: Horti-Pro(200W)

Greenhouse

Measurements: 1.5m x 1.5 m / 5' x 5'
Height fixture above canopy: 1.0 m / 40"
1 fixture needed for: 2.25 m²/25 sqft
Spectrum: the Horti-pro can be supplied with a wide range of colour spectra, the optimal one is determined by the specific crops you want to Cultivate.



Average: 134 $\mu\text{Mol}/\text{m}^2/\text{s}$
Maximum: 140 $\mu\text{Mol}/\text{m}^2/\text{s}$
Minimum: 128 $\mu\text{Mol}/\text{m}^2/\text{s}$
Uniformity: 92%

Technical Datasheet

Designed and produced in the Atop Lighting. © 2018, Atop. All rights reserved.

Atop Lighting

Building A, Jian'an Road No.3,
Tang Wei Community, Fu Yong Street,
Bao An Distric, Shen Zhen, China.

T +8675523573307
E info@atophort.com
W www.atophort.com

