



# HORTI-CLOUD TOP LIGHTING

TECHNICAL DATASHEET

### Product features

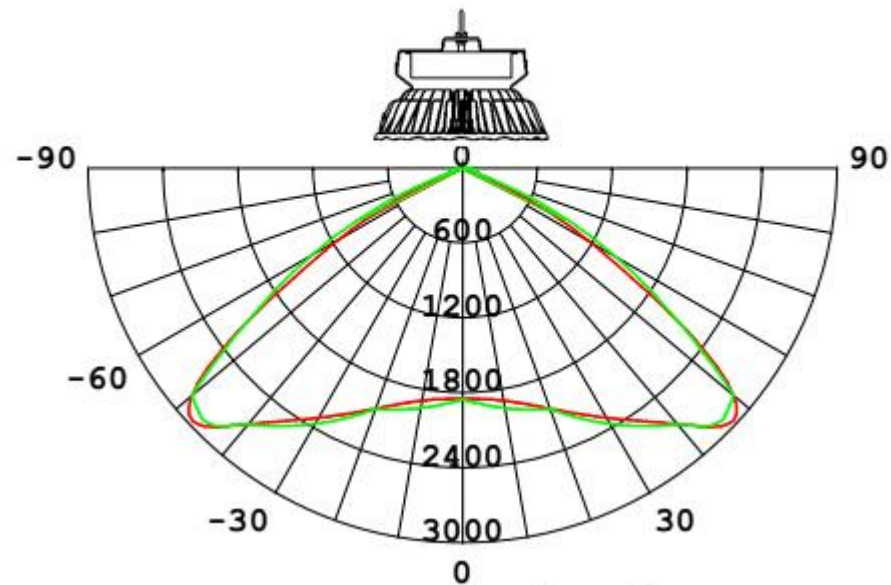
Housing material	Aluminum
Finishing	Powder coating
Optics materials	High transmission glass (transmission >90%)
Radiation angle	120°
Protection degree LED compartment	IP65 (dust and watertight)
	Lamps can be cleaned by using pressurized water, the complete electrical circuit is sealed waterproof.
Lighting impact resistance	IK08

### Technical data

Power*	300 Watt (± 5%)
PF	> 0.95
Voltage range	100-240VAC/100-277 VAC
Current range	3.0A - 1.08A
Frequency range	50/60 Hz
Inrush current	< max. 25A (t< 1 msec)
Isolation class	Class I
Operation conditions	0°C to 40°C / 32°F to 104°F (95% RH)
Storage conditions	-40°C to 70°C / -40°F to 158°F (85% RH)

### Optical properties

Photon flux (µMol/s)	540µMol/s
Efficacy (µMol/J)	1.8µMol/J (higher up to 2.5µMol/J can reach based on request)
Warranty	5 years
Customized lens	The customized lens 50° 90° 120° etc are available



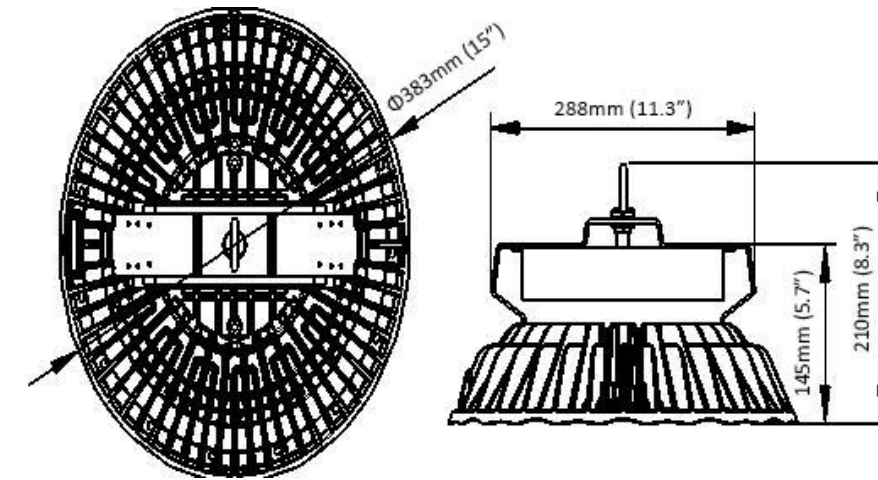
### Weight and dimensions

Net weight	8.7 kg /19.3lbs
Product dimensions	Φ 383x210mm/Φ 15"x8.3"

### Mounting

Hanging installation

### Drawings



### Logistic specifications

Quantity	per carton	1 pc
Gross weight (approx.)		9.6 kg /21.3lbs (including hanging ropes, plugs)
Carton dimensions		440mm x 255mm x 450mm/17.3" x10" x 17.7"

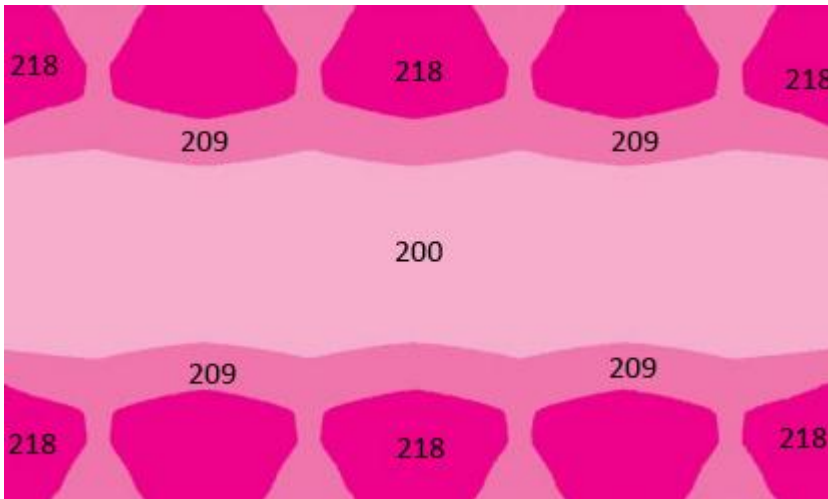
### Compliance

- CE, UL, ETL, TUV certification
- Low Voltage Directive (LVD)
- Electromagnetic Compatibility Directive (EMC)
- Restriction of Hazardous Substances (RoHS) Directive

## PPFD map: Horti-Cloud

### Greenhouse

Measurements: 1.5m x 1.5 m/5' x 5'  
Height fixture above canopy: 1.0 m /40"  
1 fixture needed for: 2.25 m<sup>2</sup>/25 sqft  
Spectrum: the Horti-cloud can be supplied with a wide range of colour spectra, the optimal one is determined by the specific crops you want to Cultivate.



Average: 209  $\mu\text{Mol}/\text{m}^2/\text{s}$   
Maximum: 200  $\mu\text{Mol}/\text{m}^2/\text{s}$   
Minimum: 218  $\mu\text{Mol}/\text{m}^2/\text{s}$   
Uniformity: 92%

Technical Datasheet

Designed and produced in the Atop Lighting. © 2018, Atop. All rights reserved.

### Atop Lighting

Building A, Jian'an Road No.3,  
Tang Wei Community, Fu Yong Street,  
Bao An Distric, Shen Zhen, China.

T +8675523573307  
E info@atophort.com  
W www.atophort.com

