



LED HORTICULTURE LIGHTING SOLUTIONS FOR COMMERCIAL GREENHOUSE & PLANT FACTORY



Tel. +86-755-23573307
Fax. +86-755-23573307
E-mail. info@atophort.com
Web. www.atophort.com
Address: Building A, NO.3 Plant, Jian'an Road,
Tang Wei Community, Fuyong Street, Bao'an
District, Shenzhen, China

LEAFY GREENS

P1-26

Vertical Farming



Horti-Green
P3-8



Horti-Spec Single Tube
P9-14



Horti-Tube
P15-20

Greenhouse/ Indoor Farming



Horti-Sky
P21-26

VINE CROPS

P27-46



Horti-Tube
P29-34



Horti-Bar
P35-40



Horti-Reina
P41-46

FLORICULTURE

P47-66



Horti-Sky
P49-54



Horti E-star
P55-60

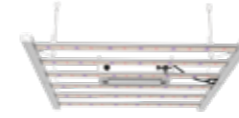


Horti-Par
P61-66

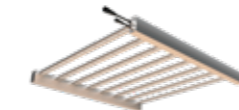
Vertical Farming

CANNABIS

P67-110



Horti-Mars
P69-74



Horti-Rey
P75-80



Horti-Spec
P81-86

Greenhouse



Horti-King
P87-92



Horti-Flag
P93-98



Horti-UV
P99-104

Greenhouse/ Indoor Farming/ Grow Tent



Horti-Far
P105-110

AN OPTIMAL SOLUTION FOR SPECIFIC APPLICATION

These products are optimal solutions for specific horticultural applications to deliver the best lighting performance.

LEAFY GREENS



Integrated Horti-Green

Vertical farms and plant factory use Horti-Green grow lights to grow leafy greens, deliver the exact nutrients each plant needs with temperature and humidity control to create an optimized climate zone year-round.

VINE CROPS



Horti-Reina

An ideal LED interlighting solution for vine crops, having LEDs on both sides, it can light two rows of plant from the bottom to the top. Horti-Reina will help growers get 365 year-round production of more consistent, high quality tomatoes, cucumber and other vine crops, higher yields and lower energy costs.

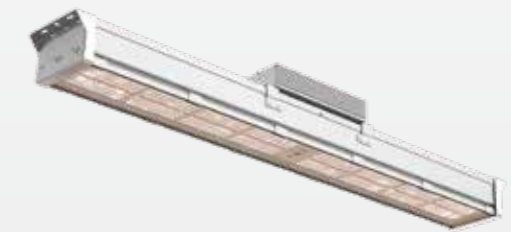
FLORICULTURE



Horti-Sky

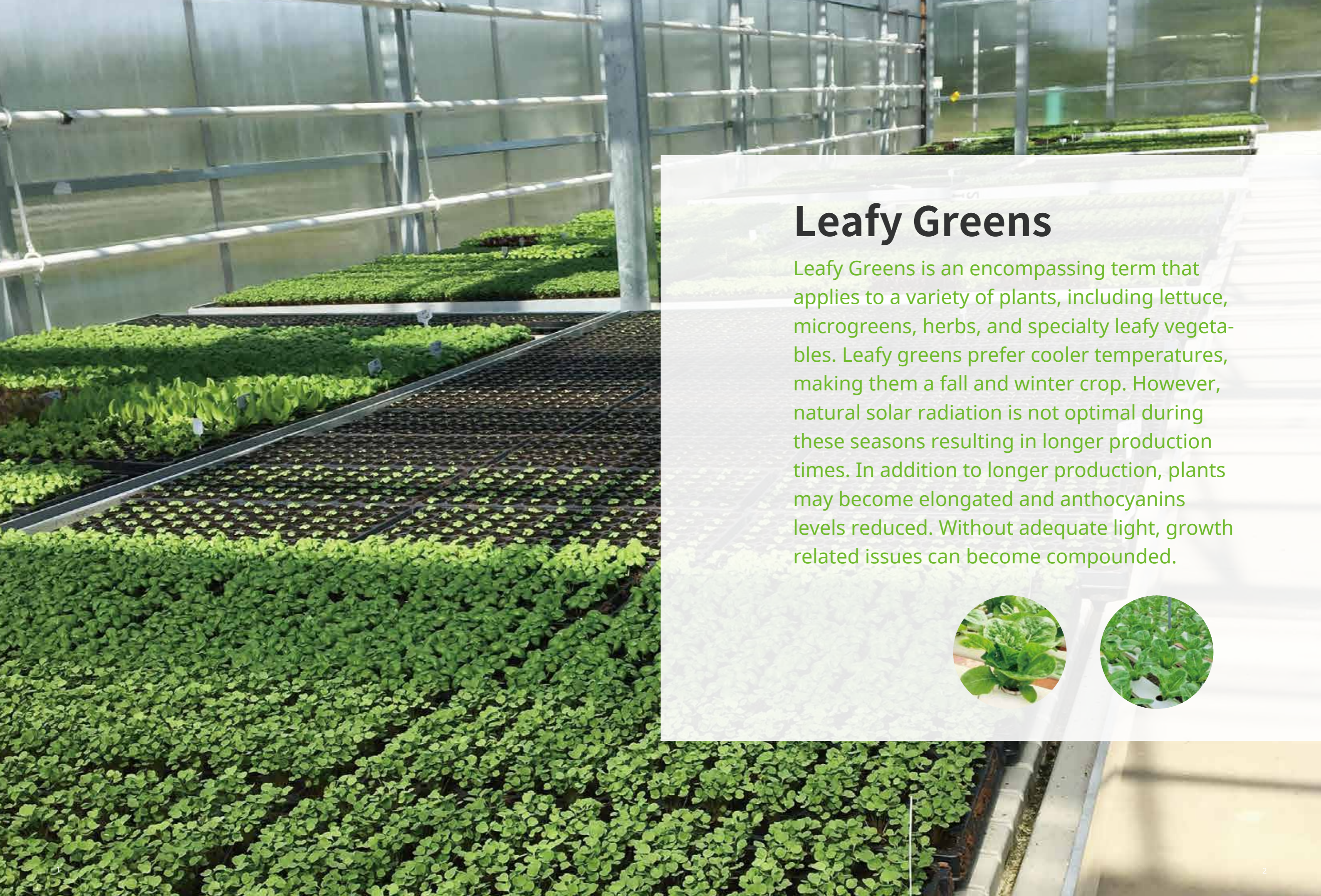
High Efficiency 2.46 μ mol/J LED floriculture lighting for commercial greenhouse growing high quality flowers. Horti-Sky offers higher quality spectrum to make it possible for light uniformity, increase production and reduce time to market.

CANNABIS



Horti-King

A powerful cannabis lighting designed for replacing traditional greenhouse HPS, MH, and CMH. With efficiency up to 2.8 μ mol/J, suitable for commercial cannabis greenhouse cultivation which requires high efficiency. Fixture use 0~10V dimming solution to control light intensity to reach the optimal growth effect.



Leafy Greens

Leafy Greens is an encompassing term that applies to a variety of plants, including lettuce, microgreens, herbs, and specialty leafy vegetables. Leafy greens prefer cooler temperatures, making them a fall and winter crop. However, natural solar radiation is not optimal during these seasons resulting in longer production times. In addition to longer production, plants may become elongated and anthocyanins levels reduced. Without adequate light, growth related issues can become compounded.





Horti-Green

Professional Horticulture Lighting Solution

Optimal solution for vertical application
growing leafy greens



Key Features

- Flexible watt: 20W, 30W and customized watt
- Flexible length: 1.2m and customized length
- IP65 waterproof solution
- Built-in driver, easy for installation and transportation

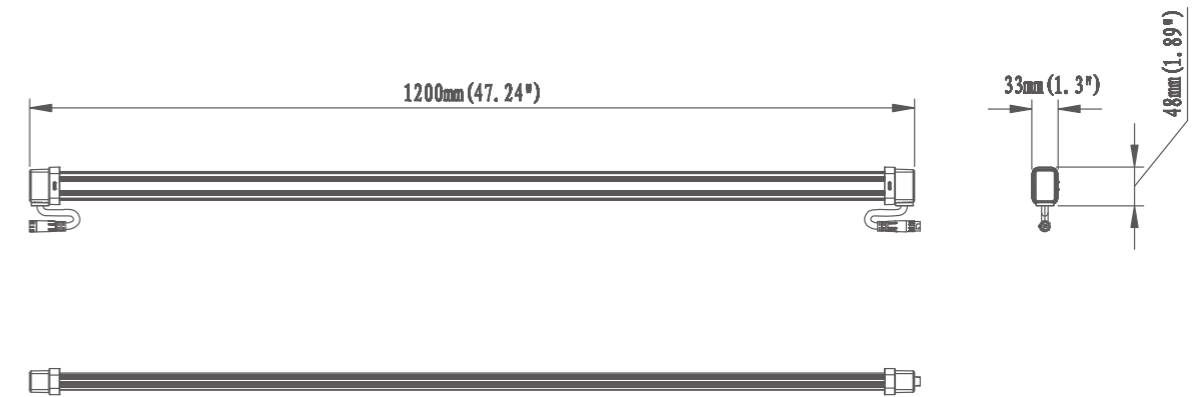
Description

20W/30W Horti-green optimizes your plants growing, it comes with daisy chain design, driver built-inside, has very flexible installation and high light uniformity.

Technical Specification

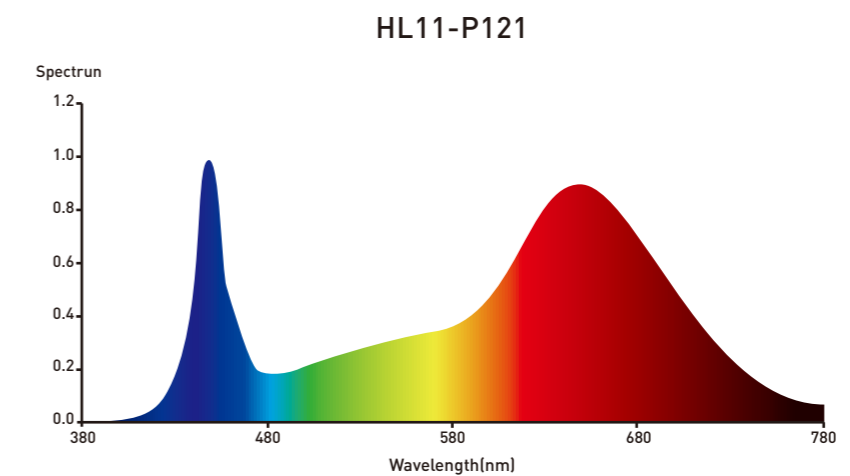
Item No	HL11-20	HL11-30
Power	20W	30W
System Efficacy	>2.0-2.3 μ mol/J	
PPF Output	>40-46 μ mol/s	>60-69 μ mol/s
Power Input	100-277Vac	
Input Frequency	50-60 Hz	
Power Factor	>0.9	
Dimming	No	
IP Rating	IP65	
Dimensions	1200 x 48 x 33 mm	
Weight	0.5 kg	
Warranty	5 years	
Certificate Certification	CE , ROHS, ETL	

Dimension Drawing



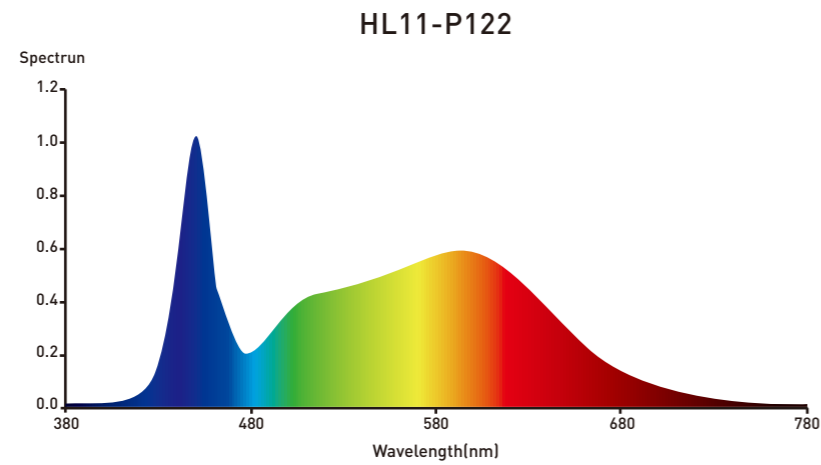
Optimal Spectrum

This full spectrum maximizes red and blue lights to allow for chlorophyll A and B absorption with a balance of green wavelengths to allow much deeper canopy penetration. Specifically formulated for indoor grow environments, this spectrum fosters photosynthesis in all stages, from propagation to flowering.

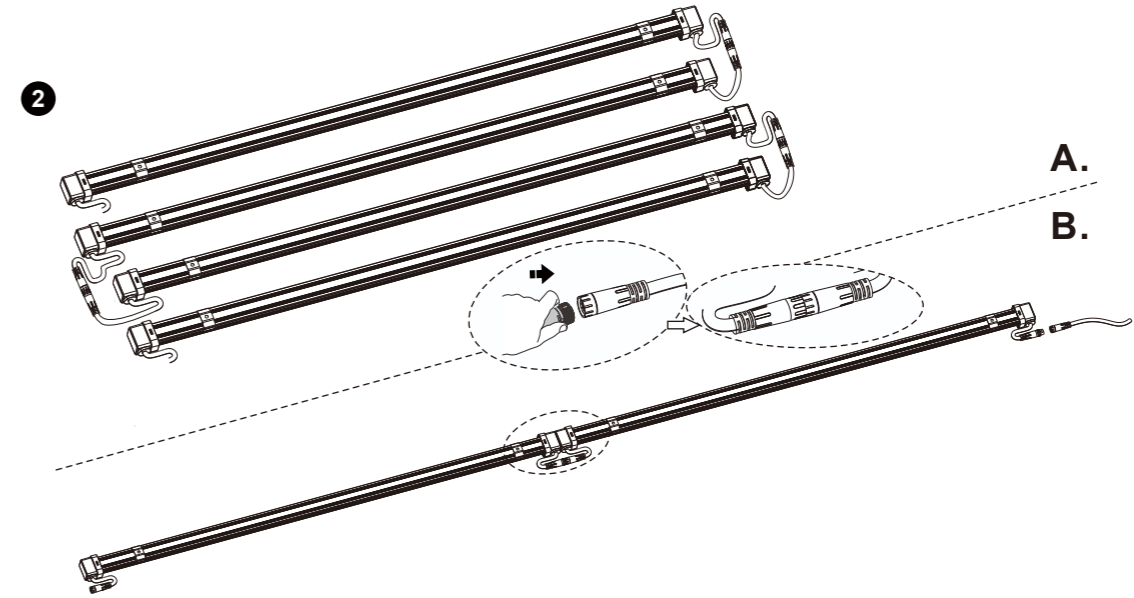
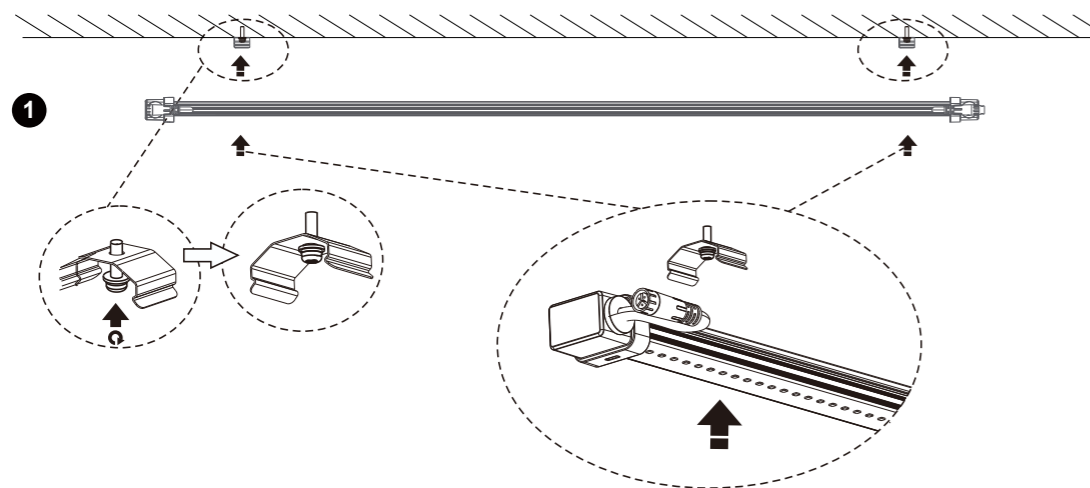


Optional Spectrum

Horti-Green has a full-spectrum white light that mimics the sun, making it exactly what your plants crave. The spectrum is based toward cooler (blue spectrum) white light, making it ideal for the vegetative and cloning stages of plant growth. The spectrum comes very close to natural daylight, truly simulating what plants have adapted to over many generations. It is especially well suited for seedling growth.



Installation Instructions



Applications



Accessories



Horti-Spec SingleTube

Professional Horticulture Lighting Solution

Optimal solution for vertical application
growing leafy greens



Key Features

- Flexible watt: 35W, 40W, 75W, 100W and customized watt
- Flexible length: 1.2m, 2m , 2.4m and customized length
- IP65 waterproof solution
- External driver, good for reliable and maintainable performance.

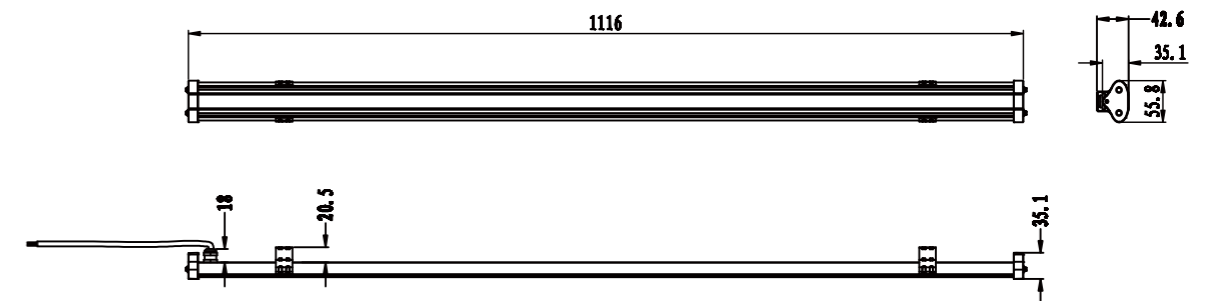
Description

Horti-Spec single tube is customized from Horti-Spec 600W, which designed for vertical farms and plant factory. Horti-Spec single tube delivers the exact nutrients each plant needs with temperature and humidity control to create an optimized climate zone year-round.

Technical Specification

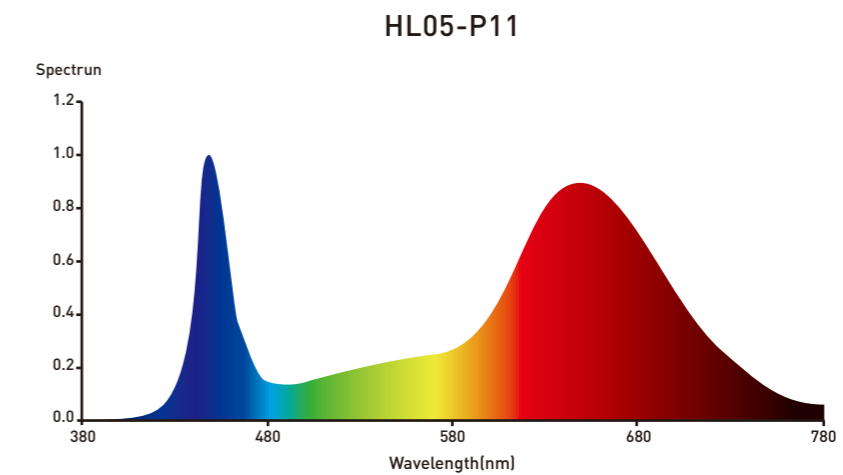
Item No	HL05-40	HL05-75
Power	40W	75W
System Efficacy	>1.8 μ mol/J	
PPF Output	>72 μ mol/s	>135 μ mol/s
Power Input	100-277Vac	
Input Frequency	50-60 Hz	
Power Factor	>0.98	
Dimming	1-10V/ 0~10V	
IP Rating	IP65	
Dimensions	1253 x 1111x 116.7 mm	
Weight	0.8 kg	
Warranty	5 years	
Certificate Certification	CE , ROHS	

Dimension Drawing



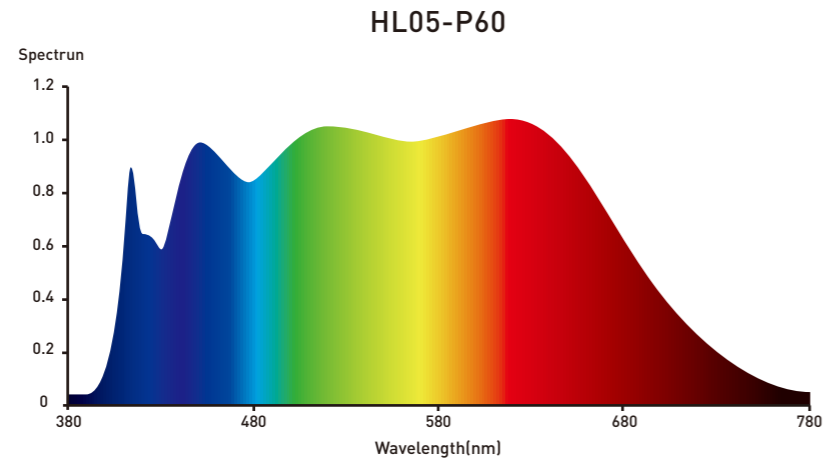
Optimal Spectrum

This full spectrum maximizes red and blue lights to allow for chlorophyll A and B absorption with a balance of green wavelengths to allow much deeper canopy penetration. Specifically formulated for indoor grow environments, this spectrum fosters photosynthesis in all stages, from propagation to flowering.



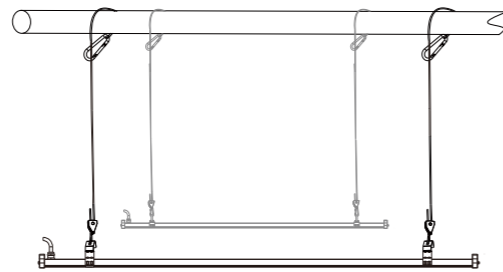
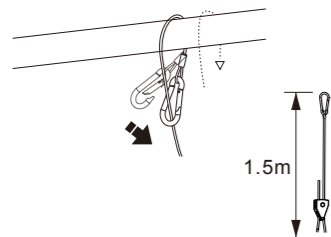
Optional Spectrum

A balanced range of wavelengths from UV to FR suitable for all growth stages. It has been tested on and is suitable for most plant species cultivated worldwide. SUNLIKE spectrum works as both sole source or supplemental light.

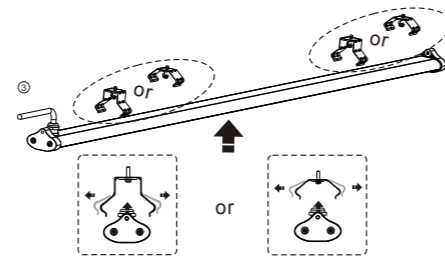
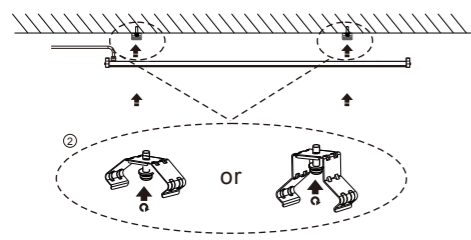


Installation Instructions

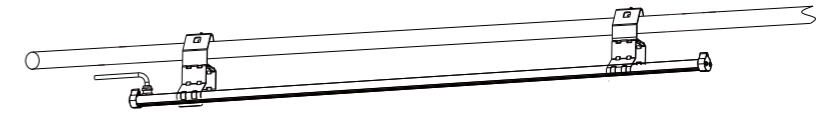
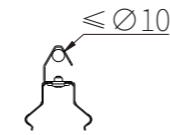
A. Hanging installation



B. Ceiling installation



C. Hoisting installation

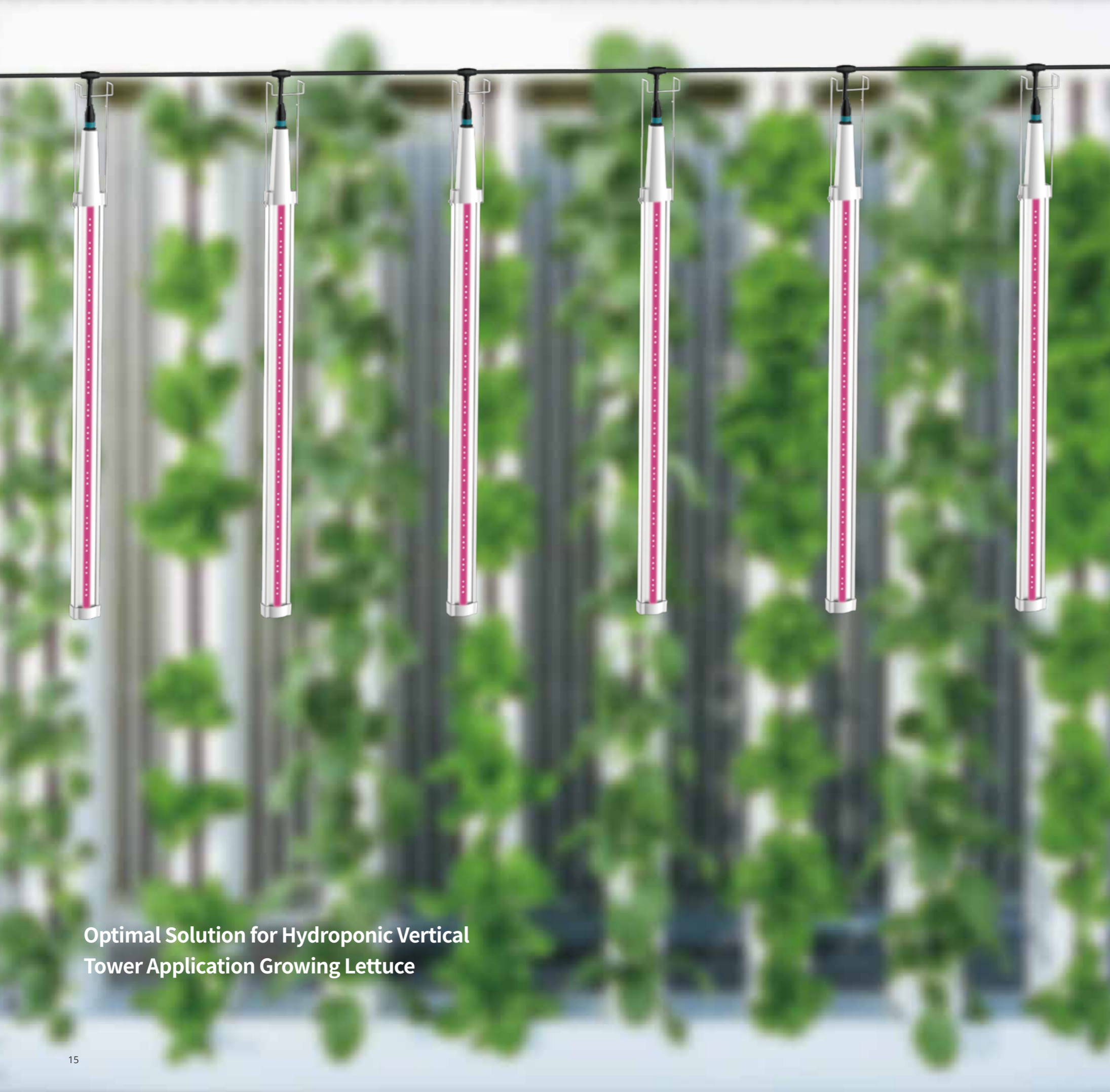


Accessories



Case Study





Optimal Solution for Hydroponic Vertical
Tower Application Growing Lettuce

Horti-Tube

Professional Horticulture Lighting Solution



Key Features

- Having LEDs on both sides, it can light two rows of plants
- IP65, daisy chained, take male and female plugs
- Customized spectrum
- Good supplemental lighting for vertical hydroponic tower growing leafy greens

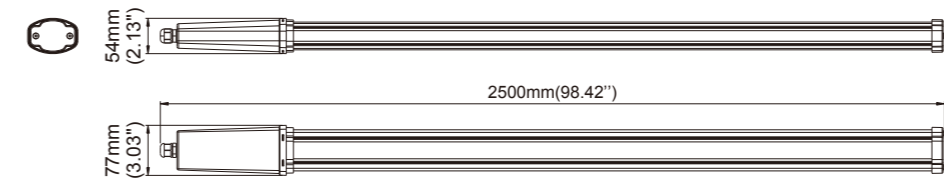
Description

Horti-Tube is an ideal inter lighting grow lights between in plants. Having LEDs on both sides, it can light two rows of plants at the same time. With aluminum housing, it can get better heat dissipation not harm the green leafs.

Technical Specification

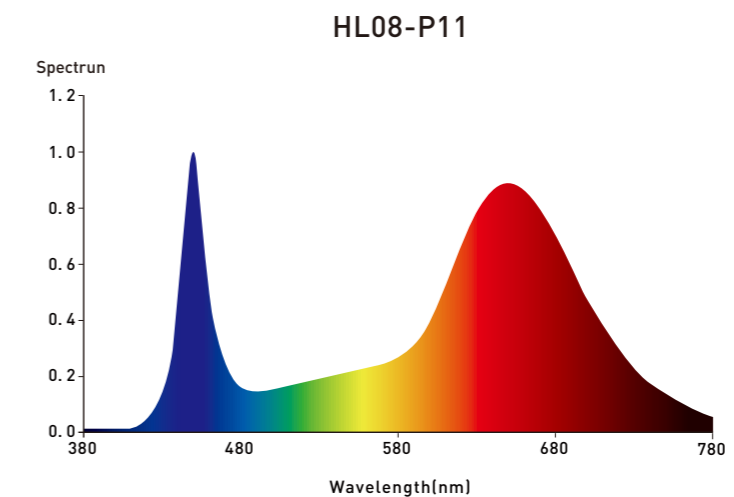
Item No	HL08-150
Power	150W
System Efficacy	>1.8 μ mol/J
PPF Output	270 μ mol/s (400~700nm)
Power Input	90-305Vac
Input Frequency	50-60 Hz
Power Factor	>0.95
IP Rating	IP65
Dimensions	2500 x 77 x54 mm
Weight	3.0 kg
Warranty	5 years
Certificate Certification	CE , ROHS

Dimension Drawing



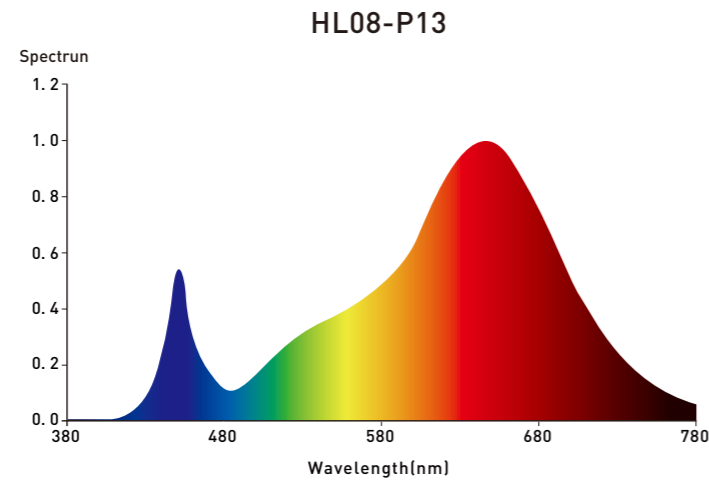
Optimal Spectrum

This full spectrum maximizes red and blue lights to allow for chlorophyll A and B absorption with a balance of green wavelengths to allow much deeper canopy penetration. Specifically formulated for indoor grow environments, this spectrum fosters photosynthesis in all stages, from propagation to flowering.



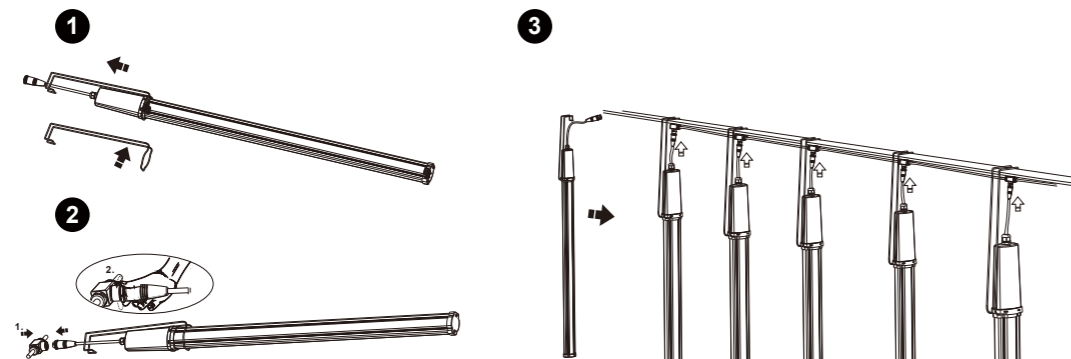
Optional Spectrum

This spectrum maximizes red light to ensure large absorption of the nutrients. A little blue light can allow for chlorophyll A and B absorption with a balance of green wavelength to allow much deeper canopy penetration. It is designed for hydroponic plant growing.

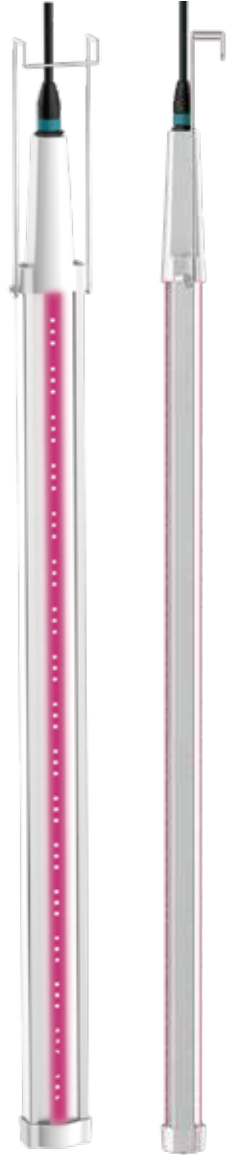
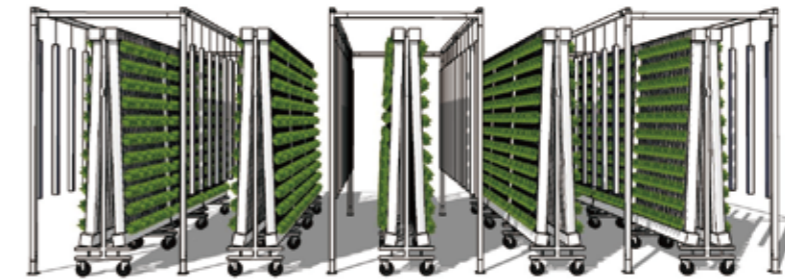


Available to customize spectrum, if you have your own ideas for the spectrum, please contact us to customize it, we can make it happen.

Installation Instructions



Applications



Accessories



T-Connector wire



Hook



Horti-Sky

Professional Horticulture Lighting Solution

Optimal solution for Greenhouses, indoor hydroponics application growing leafy greens



Key Features

- The elegance of simplicity allows the Horti-Sky to be suitable for every CEA application.
- Dust free, easy to clean with long lifespan.
- External driver, good for reliable and maintainable performance.

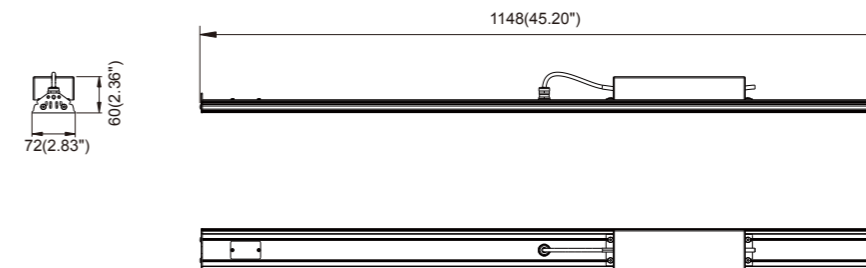
Description

Horti-Sky is the versatile lighting solution for every application. Horti-Sky offers growers with the choice of spectrum, helping maximize growth in a greenhouse and indoor settings, balancing crop quality and yield. Horti-Sky allows crops to receive sufficient sunlight needed during high light periods and its precise and uniform lighting to supplement during low light or dark periods. It provides effective growing year-round.

Technical Specification

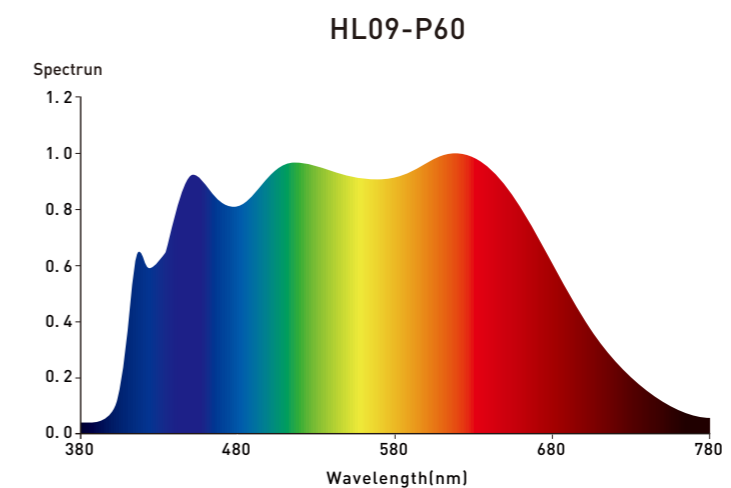
Item No	HL09-150
Power	150W
System Efficacy	>1.72 μ mol/J , >2.0 μ mol/J , >2.46 μ mol/J
PPF Output	>258 μ mol/s , >300 μ mol/s , >369 μ mol/s
Power Input	100-277Vac
Input Frequency	50-60 Hz
Power Factor	>0.9
Dimming	0~10V
IP Rating	IP65
Dimensions	1148 x 72 x 60.4mm
Weight	2 kg
Warranty	5 years
Certificate Certification	CE , ROHS , ETL

Dimension Drawing



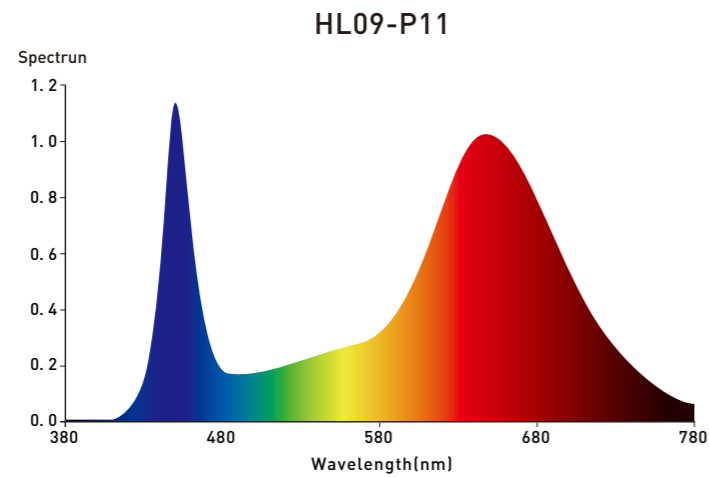
Optimal Spectrum

A balanced range of wavelengths from UV to FR suitable for all growth stages. It has been tested on and is suitable for most plant species cultivated worldwide. SUNLIKE spectrum works as both sole source or supplemental light.



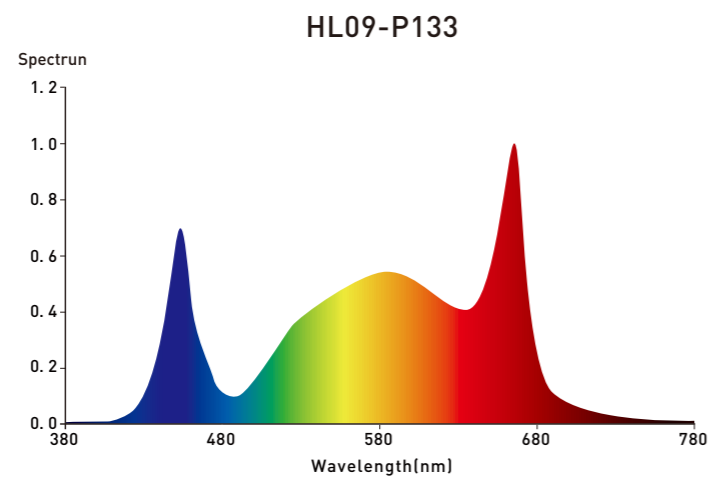
Optimal Spectrum

This full spectrum maximizes red and blue lights to allow for chlorophyll A and B absorption with a balance of green wavelengths to allow much deeper canopy penetration. Specifically formulated for indoor grow environments, this spectrum fosters photosynthesis in all stages, from propagation to flowering.



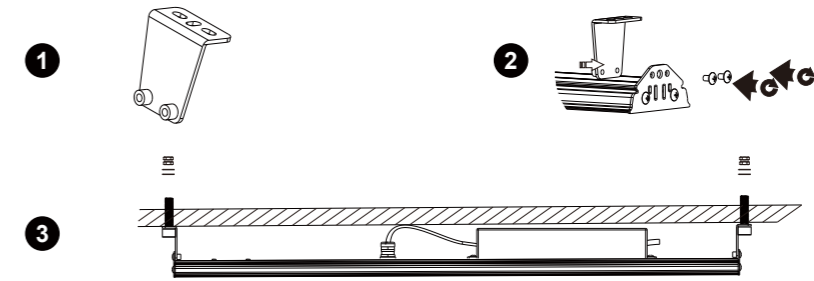
Optimal Spectrum

This enhanced full spectrum produces the fastest flowering for plant species grown indoors under artificial lighting. The spectrum most closely mimics the sun and can meet the needs of both high and low DLI crops.

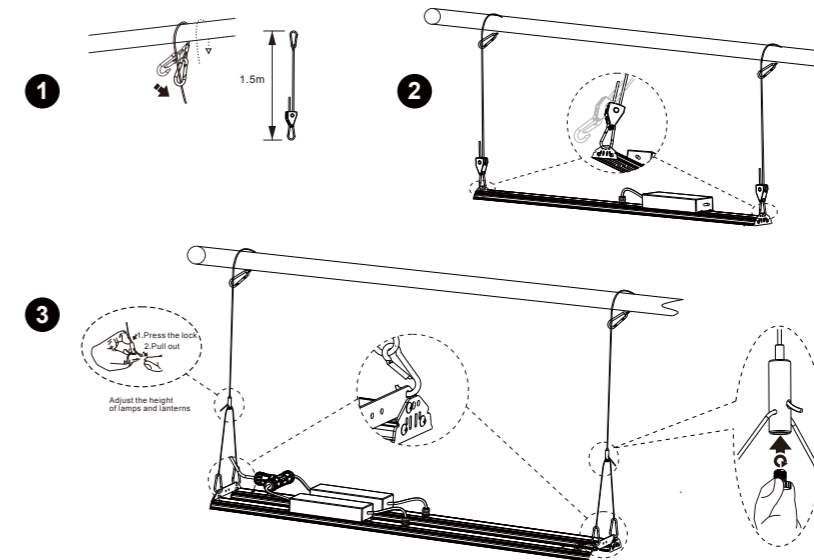


Installation Instructions

A. Ceiling installation



B. Hanging installation



Applications



Accessories

Safety line/ Bracket x 2pcs



Vine Crops

Vine Crops are some of the most prolific greenhouse produced crops in the world, with the top three being tomatoes, cucumbers, and sweet peppers. Supplemental lighting is crucial for vine crop growers due to the high light needs of their crops.





**Optimal Solution for Greenhouses
Application Growing Vine Crops**

Horti-Tube

Professional Horticulture Lighting Solution



Key Features

- Having LEDs on both sides, it can light two rows of plants
- IP65, daisy chained, take male and female plugs
- Customized spectrum
- Good supplemental lighting for tomatoes, cucumber and pepper greenhouses

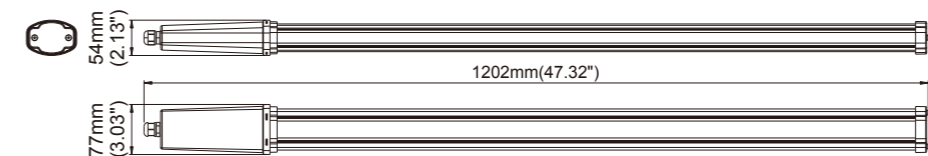
Description

Horti-Tube is an ideal inter lighting grow lights between in plants. Having LEDs on both sides, it can lighting two rows of plants at the same time. With aluminum housing, it can get better heat dissipation not harm the green leaves. Horti-Tube interlighting not only suitable for cucumber, but also for tomato and peppers.

Specification

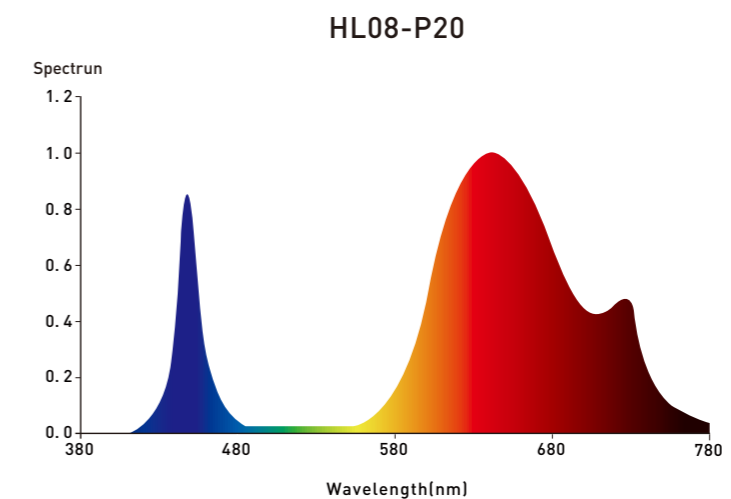
Item No	HL08-40
Power	36W Full Spectrum + 4W Far Red
System Efficacy	>1.8 μ mol/J (400~700nm)
PPF Output	78 μ mol/s (380~780nm), 62 μ mol/s (400~700nm)
Power Input	90-264Vac
Input Frequency	50-60 Hz
Power Factor	>0.95
IP Rating	IP65
Dimensions	1202 x 77 x54 mm
Weight	2.0 kg
Warranty	5 years
Certificate Certification	CE , ROHS

Dimension Drawing



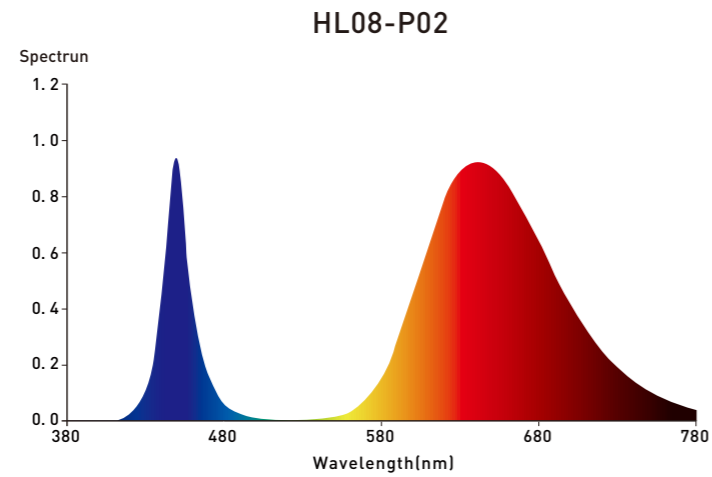
Optimal Spectrum

The spectrum solution 36W full spectrum and 4W 730nm is designed to nurture and support improved flowering. The heavy emphasis of red and far red wavelengths serves to promote reproduction and flowering in vine crops. With a peak spectrum at 730nm is designed to exclusively target phytochrome far red photoreceptors. This spectrum is widely used to target Phytochrome Far Red (Pfr) in photomorphogenic lighting applications, and it is used to lengthen the dark period to encourage the flowering process in Short Day Plants.



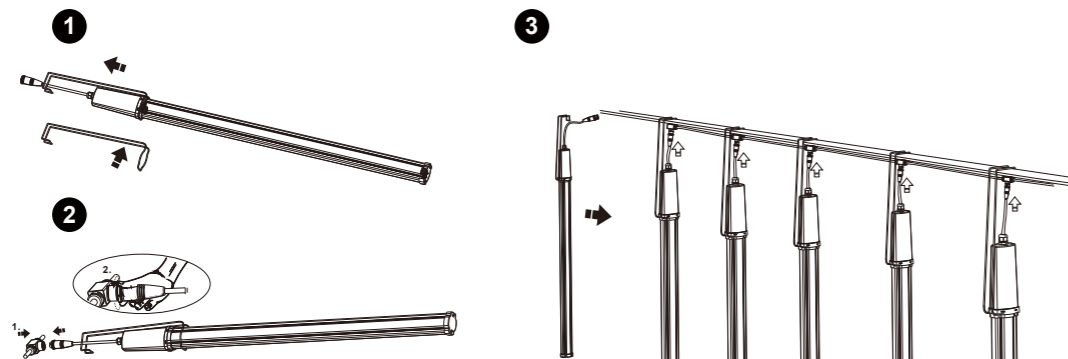
Optional Spectrum

The spectrum offers an enhancement in the 450nm peak wavelength to ensure the fastest vegetative growth results. The increased blue light promotes chlorophyll concentrations, total flavonoid concentration, and antioxidant capacity of lettuce. Blue light also promotes primary and secondary metabolites in microgreens and baby leafy greens. Red light promotes plants flowering and producing fruit. It's also essential to a plant's early life for seed germination, root growth, and bulb development.

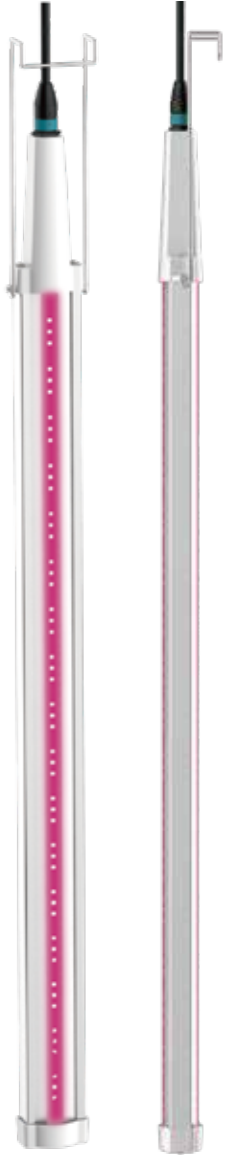


Available to customize spectrum, if you have your own ideas for the spectrum, please contact us to customize it, we can make it happen.

Installation Instructions



Case Study



Horti-Bar

Professional Horticulture Lighting Solution

Optional Solution for Greenhouses
Application Growing Vine Crops



Key Features

- Double sides lighting output, it can light two rows of plants
- 1.2M 60W, 2.4M can do 120W, suitable size for greenhouse
- IP65, daisy chained, take male and female plugs, easy to link one by one, can link 60W 35pcs, 120W 17pcs in one line
- Customized spectrum
- Good supplemental lighting for vine plants like cucumber and tomato

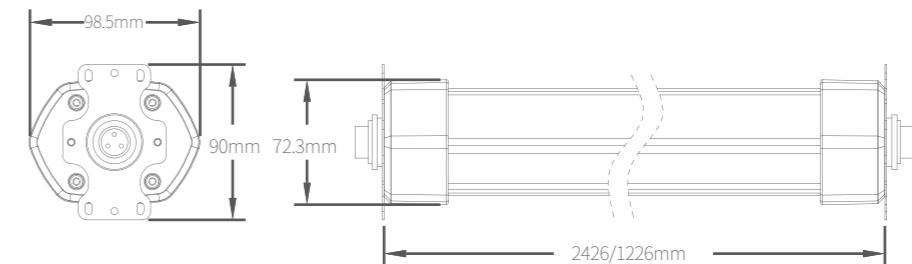
Description

Horti-Bar is an ideal inter lighting grow lights between in plants. Having LEDES on both sides, it can light two rows of plants at the same time. With aluminum housing, it can get better heat dissipation not harm the green leafs. Horti-Bar interlighting not only suitable for cucumber, but also for tomato and peppers. Our flexible design allows greater control over the plant growth process. Also interlighting connection is easy to install.

Specification

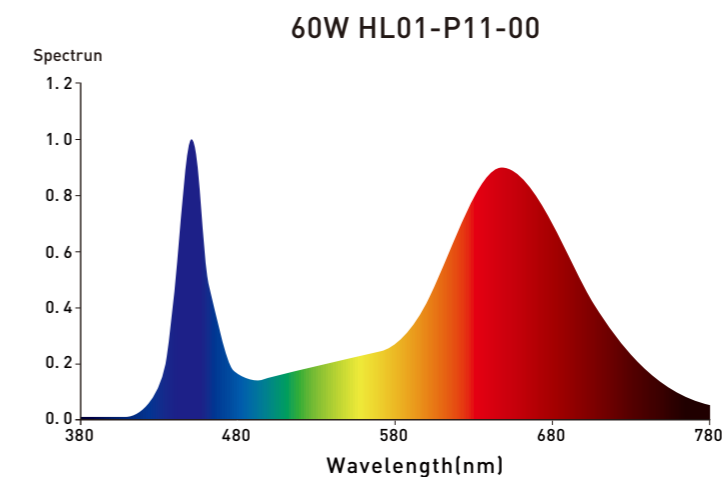
Item No	HL01-60	HL01-100
Power	60W	100W
System Efficacy	1.8 μ mol/J (400~700nm)	3.0 μ mol/J (400~700nm)
PPF Output	>108 μ mol/s	>300 μ mol/s
Power Input	90-305Vac	
Input Frequency	50-60 Hz	
Power Factor	>0.93	
IP Rating	IP65	
Dimensions	98.5 x 90 x 1226 mm	98.5 x 90 x 2426 mm
Weight	3.0 kg	6.8 kg
Warranty	5 years	
Certificate Certification	CE , ROHS , ETL	

Dimension Drawing



Optimal Spectrum

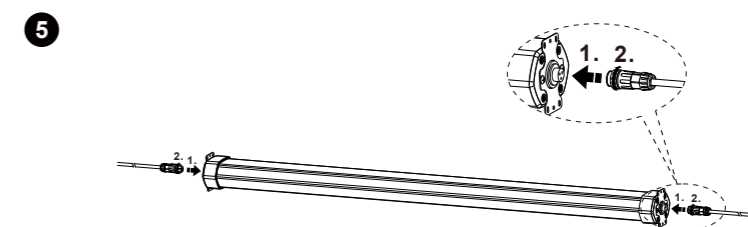
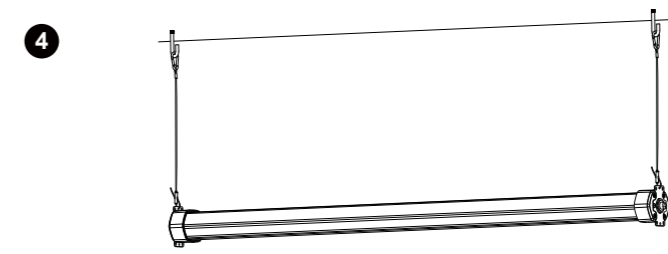
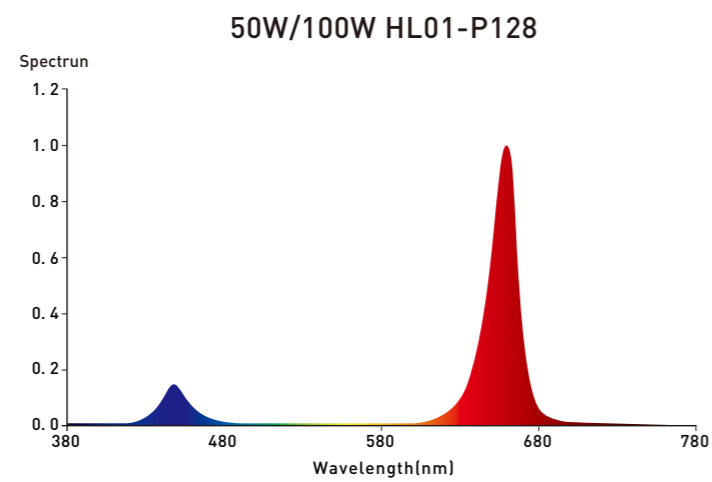
The spectrum offers an enhancement in the 450nm peak wavelength to ensure the fastest vegetative growth results. The increased blue light promotes chlorophyll concentrations, total flavonoid concentration, and antioxidant capacity of lettuce. Blue light also promotes primary and secondary metabolites in microgreens and baby leafy greens. Red light promotes plants flowering and producing fruit. It's also essential to a plant's early life for seed germination, root growth, and bulb development.



Available to customize spectrum, if you have your own ideas for the spectrum, please contact us to customize it, we can make it happen.

Optional Spectrum

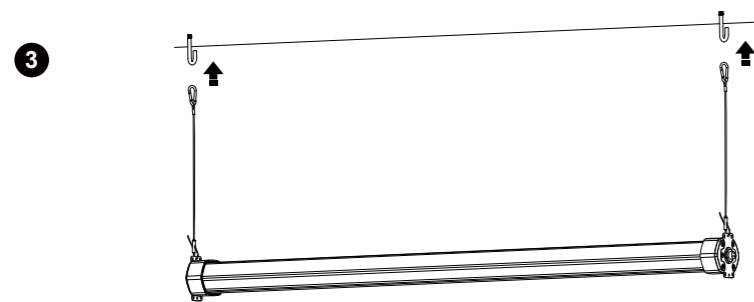
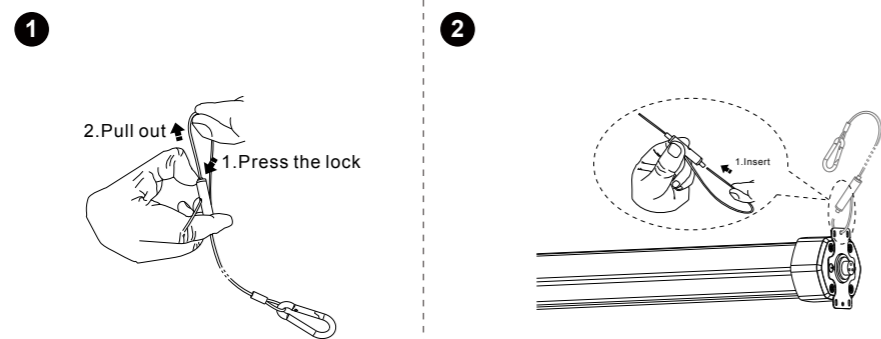
The spectrum is suitable throughout the plant growth cycle and offers the highest photon yield efficiency of the available spectra. It is recommended for applications with a tight energy budget where visual plant assessment is not a priority.



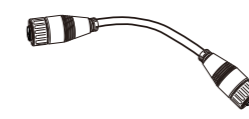
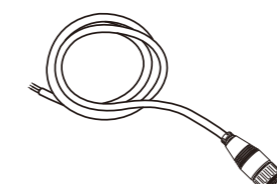
Case Study



Installation Instructions



Accessories





Horti-Reina

Professional Horticulture Lighting Solution

Optimal solution for high-density crops application
growing tomatoes and cucumber



Key Features

- Linkable solution
- High efficiency up to 3 $\mu\text{mol}/\text{j}$
- Connect up to 4-20pcs interlighting modules with just one power connection, and save the total cost of project.
- Durable aluminium lightweight profile with low shading.

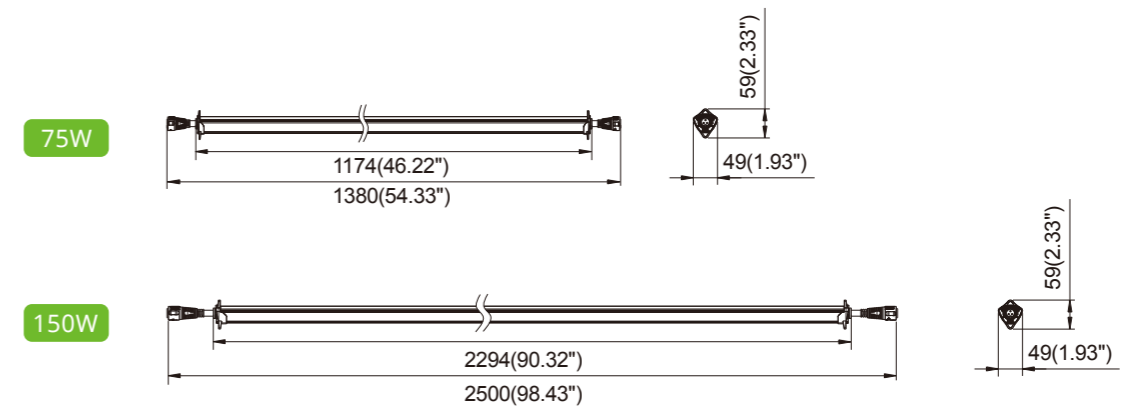
Description

Horti-Reina is the ideal LED interlighting system to maximize the yield of crop in growing cycle or to anticipate the cultivation cycle. By placing the LEDs on the canopy of plants directs and focuses growth-stimulating light on the most important part of the crop.

Technical Specification

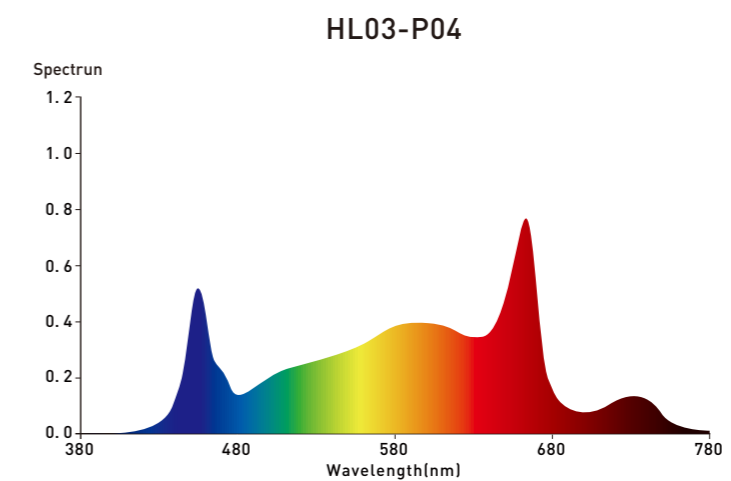
Item No	HL03-75	HL03-150
Power	75W	150W
System Efficacy	>2.3-2.7 μ mol/J	
PPF Output	>172.5-202.5 μ mol/s	>345-405 μ mol/s
DC Input	56V	56V or 250V
Dimming	0-10V	
IP Rating	IP65	
Dimensions	1380x49x59mm	2500 x 49 x 59mm
Weight	1.2 kg	2.2 kg
Warranty	5 years	
Certificate Certification	CE , ROHS	

Dimension Drawing



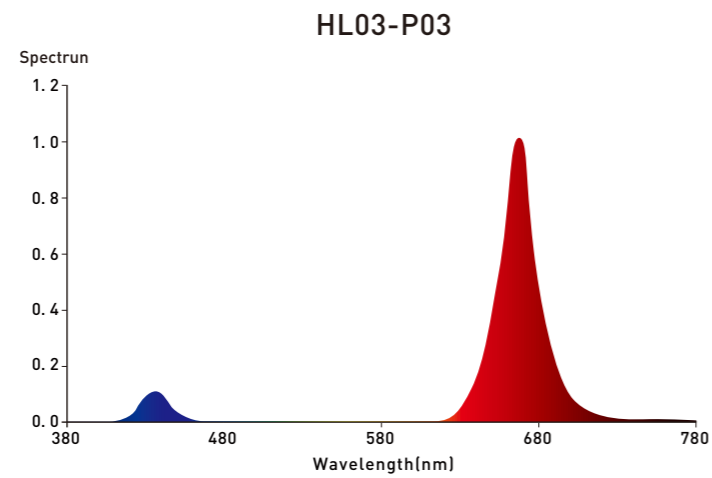
Optimal Spectrum

This enhanced full spectrum produces the fastest flowering for plant species grown under artificial lighting. The spectrum most closely mimics the sun and can meet the needs of both high and low DLI crops. The biooptical gain of far-red light on photosynthetic rate is beneficial to promote plant growth and increase plant yield.



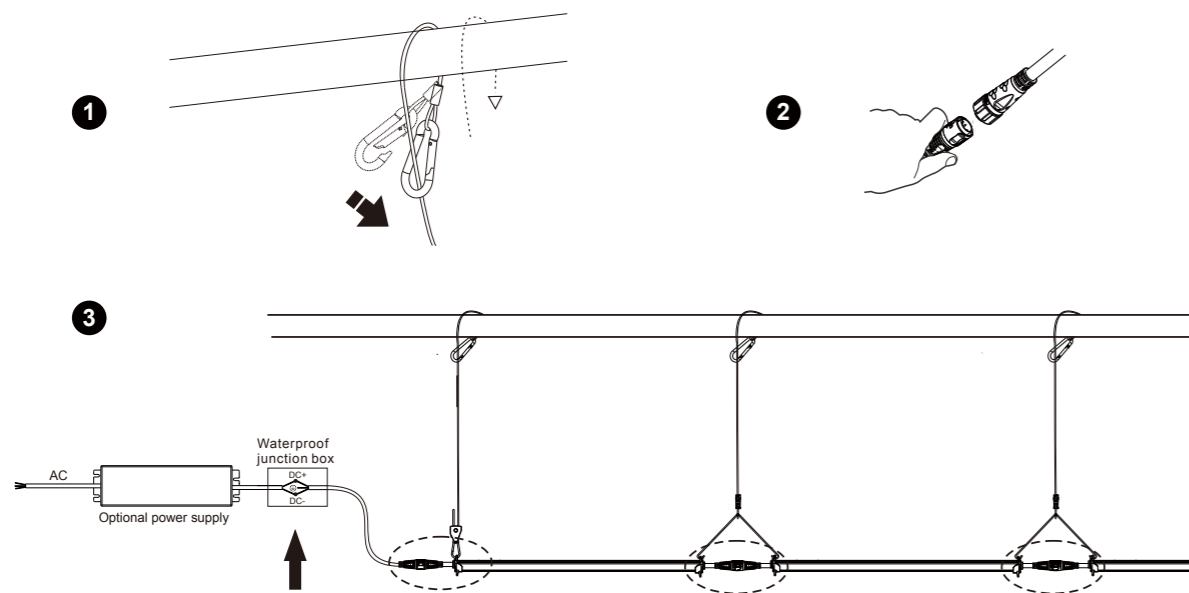
Optional Spectrum

The spectrum is suitable throughout the plant growth cycle and offers the highest photon yield efficacy of the available spectra. It is recommended for applications with a tight energy budget where visual plant assessment is not a priority.

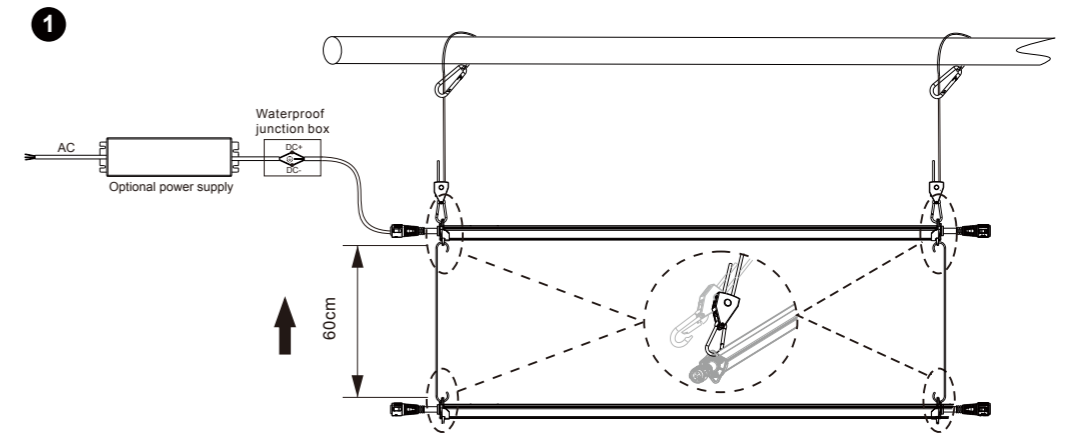


Installation Instructions

A. Parallel installation



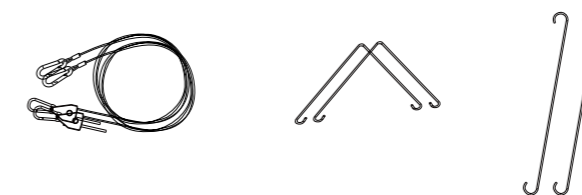
B. Tandem installation



Case Study



Accessories





Floriculture

The floriculture industry encompasses a wide variety of planting styles from bedding, to potted and cut flowers. Lighting needs to vary based on species and production styles, however light remains an integral growth variable in production. Low light conditions result in poor quality plants that show an increase in blindness, stretching and have smaller flowers with thinner stems. If plants are grown at excessively high light levels, leaf orientation will change to avoid the light and the plants may also develop “sunburn”.





Horti-Sky

Professional Horticulture Lighting Solution

Optimal Solution for Greenhouses
Application Growing Flowers



Key Features

- The elegance of simplicity allows the Horti-Sky to be suitable for every CEA application.
- Dust free, easy to clean with long lifespan.
- External driver, good for reliable and maintainable performance.

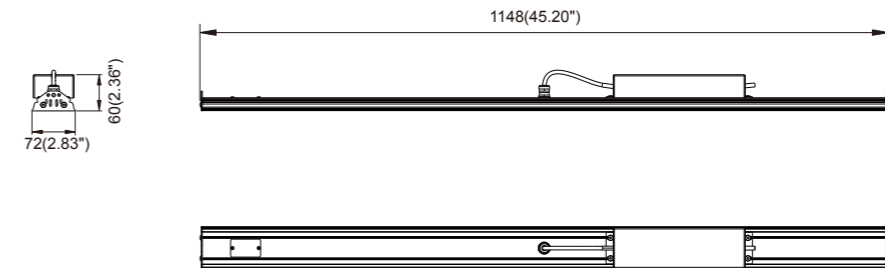
Description

Horti-Sky is the versatile lighting solution for every application. Horti-Sky offers growers with the choice of spectrum, helping maximize growth in a greenhouse and indoor settings, balancing crop quality and yield. Horti-Sky allows crops to receive sufficient sunlight needed during high light periods and its precise and uniform lighting to supplement during low light or dark periods. It provides effective growing year-round.

Technical Specification

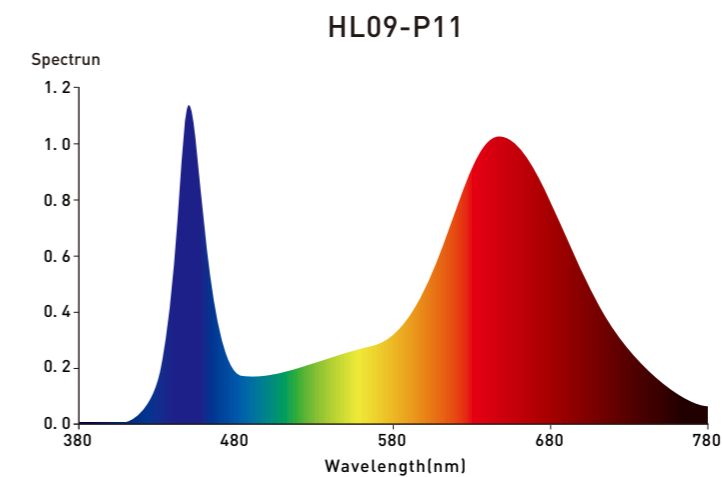
Item No	HL09-150
Power	150W
System Efficacy	>1.72 μ mol/J , >2.0 μ mol/J , >2.46 μ mol/J
PPF Output	>258 μ mol/s , >300 μ mol/s , >369 μ mol/s
Power Input	100-277Vac
Input Frequency	50-60 Hz
Power Factor	>0.9
Dimming	0~10V
IP Rating	IP65
Dimensions	1148 x 72 x 60.4mm
Weight	2 kg
Warranty	5 years
Certificate Certification	CE , ROHS , ETI

Dimension Drawing



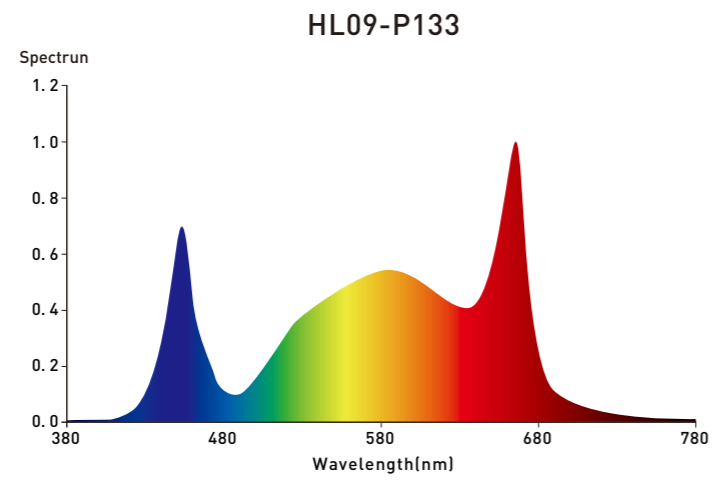
Optimal Spectrum

This full spectrum maximizes red and blue lights to allow for chlorophyll A and B absorption with a balance of green wavelengths to allow much deeper canopy penetration. Specifically formulated for indoor grow environments, this spectrum fosters photosynthesis in all stages, from propagation to flowering.



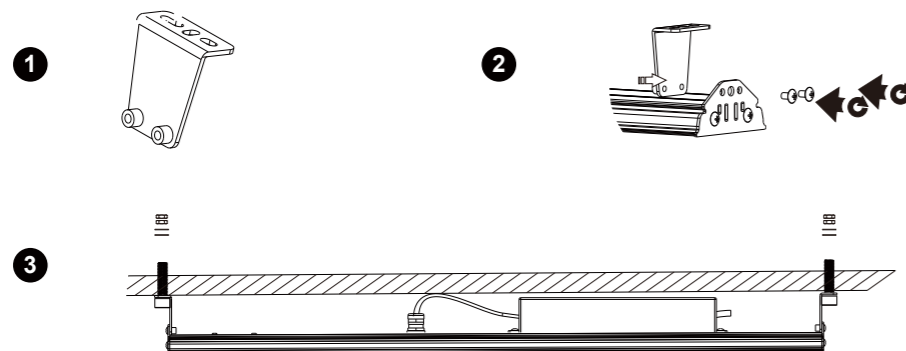
Optimal Spectrum

This enhanced full spectrum produces the fastest flowering for plant species grown indoors under artificial lighting. The spectrum most closely mimics the sun and can meet the needs of both high and low DLI crops.

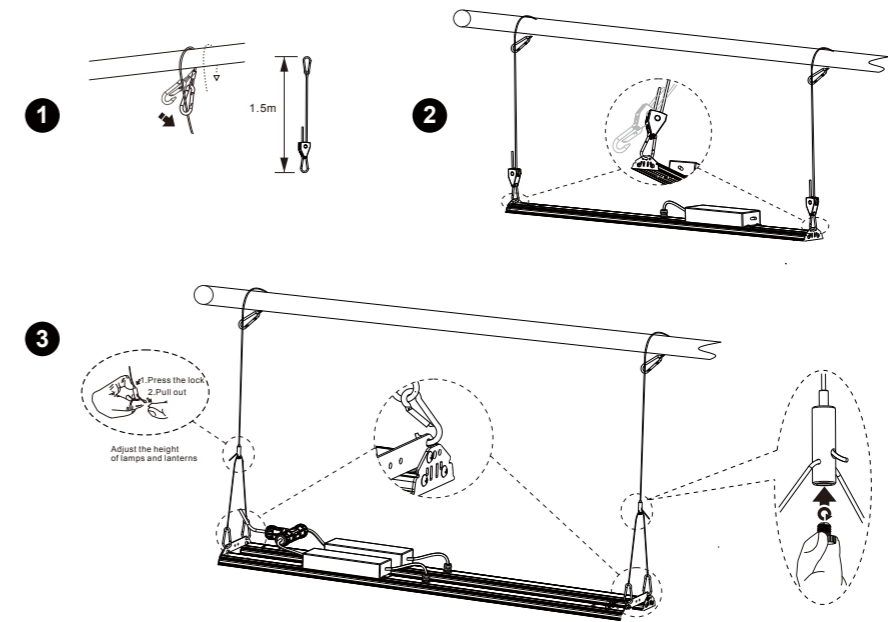


Installation Instructions

A. Ceiling installation



B. Hanging installation



Applications



Accessories

Safety line/ Bracket x 2pcs



Horti E-star

Professional Horticulture Lighting Solution

Optional Solution for Greenhouses
Application Growing Flowers



Key Features

- Top version led grow light for greenhouse
- Famous Sosen driver + Shineon LEDs
- IP65 rating with 3 years warranty
- For greenhosue growing flowers, lettuce, tomato and cucum ber which need top lighting

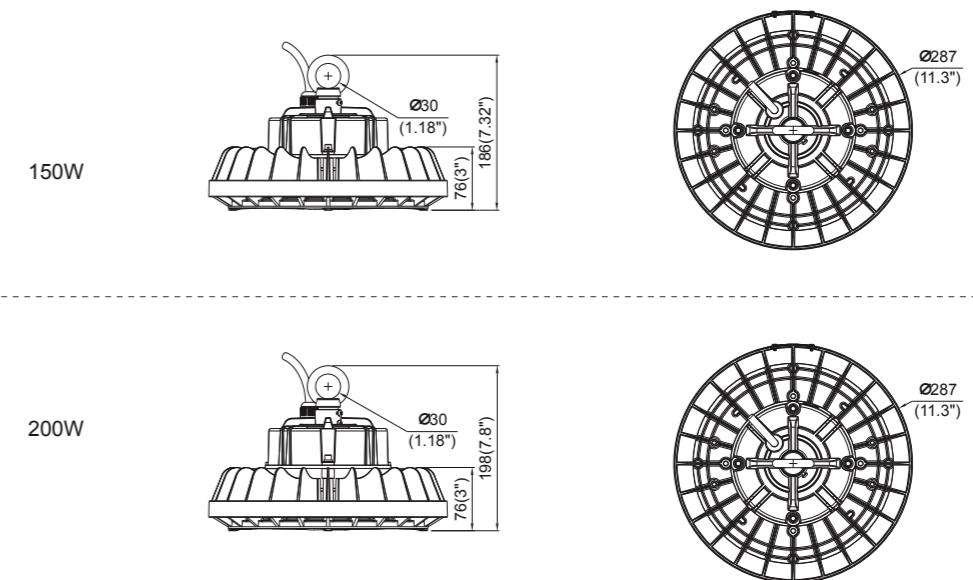
Description

Horti E-star UFO shape LED grow light comes with smaller, lighter and more powerful design. It can replace traditional 250W or 400W HPS or MH. Optional optic lens make the lighting more concentrated. Good for leafy greens greenhouse and indoor farm projects.

Technical Specification

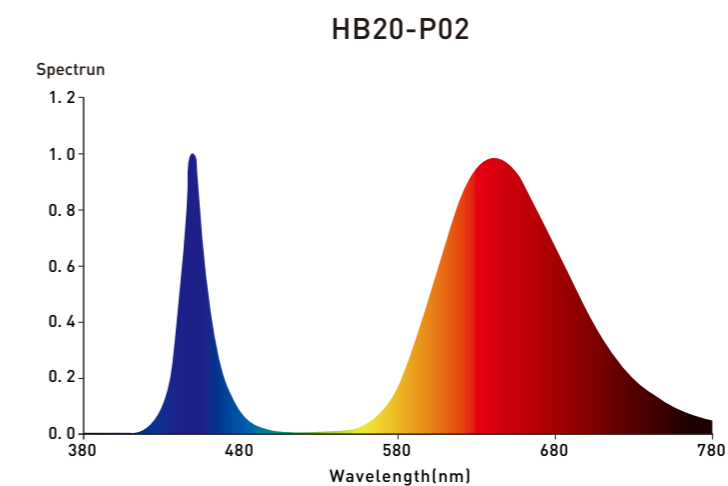
Item no	HB20-150	HB20-200
Power	150W	200W
System Efficacy	>1.8 μ mol/J (400~700nm)	
PPF Output	>270 μ mol/s	>360 μ mol/s
Power input	90~305Vac	
Input Frequency	50-60 Hz	
Power Factor	>0.92	
IP Rating	IP65	
Dimensions	287 \times 186mm	287 \times 198mm
Weight	4.4kg	4.5kg
Warranty	5 years	
Certificate Certification	CE , ROHS	

Dimension Drawing



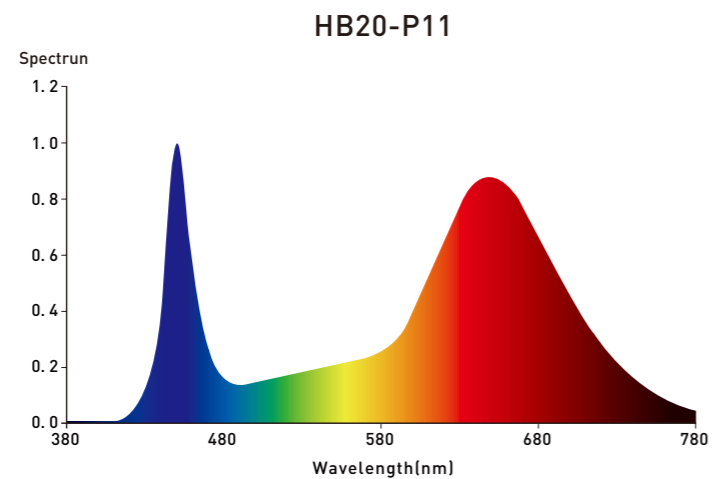
Optimal Spectrum

The spectrum offers an enhancement in the 450nm peak wavelength to ensure the fastest vegetative growth results. The increased blue light promotes chlorophyll concentrations, total flavonoid concentration, and antioxidant capacity of lettuce. Blue light also promotes primary and secondary metabolites in microgreens and baby leafy greens. Red light promotes plants flowering and producing fruit. It's also essential to a plant's early life for seed germination, root growth, and bulb development.



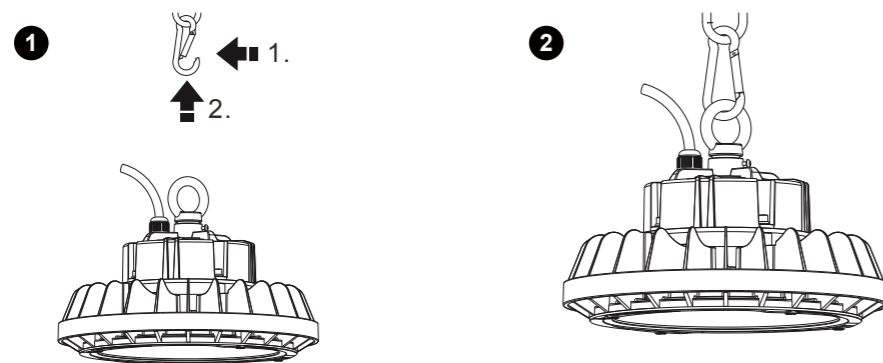
Optional Spectrum

This full spectrum maximizes red and blue lights to allow for chlorophyll A and B absorption with a balance of green wavelengths to allow much deeper canopy penetration. Specifically formulated for indoor grow environments, this spectrum fosters photosynthesis in all stages, from propagation to flowering.



Available to customize spectrum, if you have your own ideas for the spectrum, please contact us to customize it, we can make it happen.

Installation Instructions



Applications



Accessories

Safety chain , EU/AU/US Plugs



Horti-Par

Professional Horticulture Lighting Solution

The Optimal Solution for Greenhouse Application
Growing Flowers



Key Features

- Standard E26 / E27 fitting, 120 V / 230 V
- IP65 rated
- Flexible spectrum options

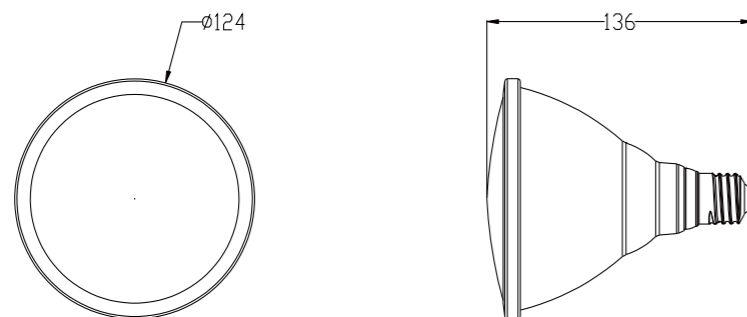
Description

16W Horti-Par is the effective, energy-efficient way to extend daylight in greenhouses that cultivate.

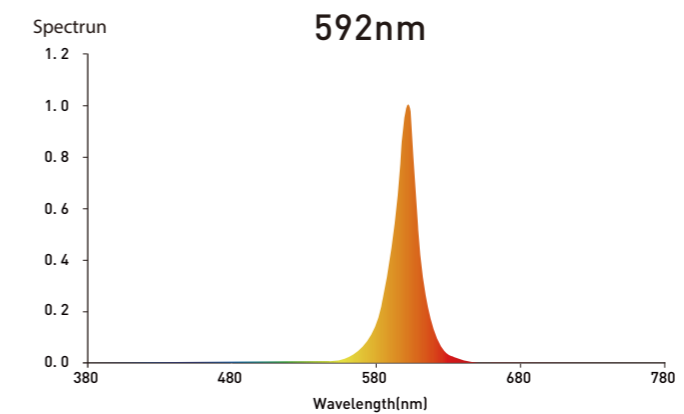
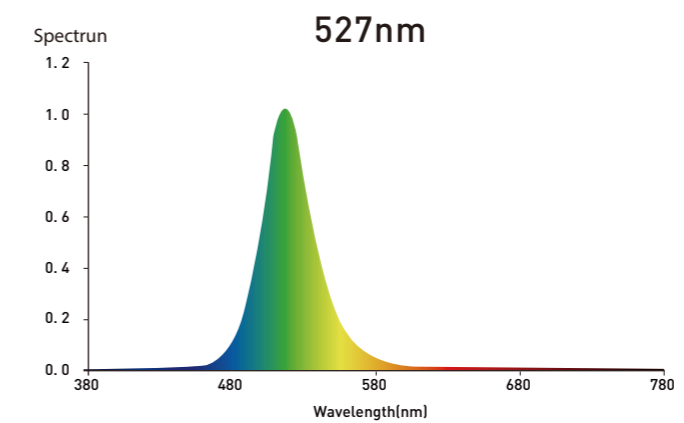
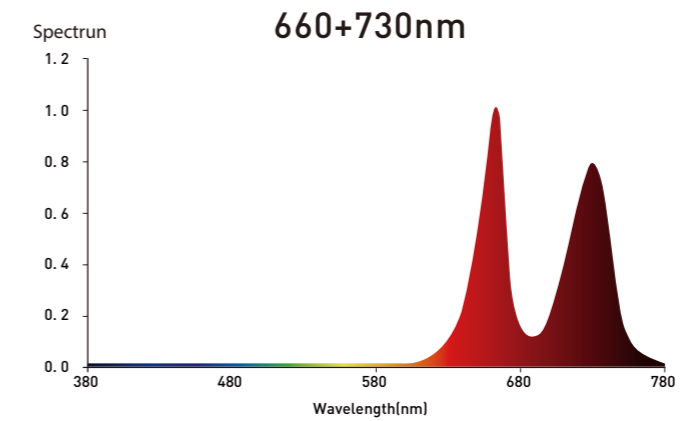
Technical Specification

Item No	Par38-F-16
Power	16W
System Efficacy	>1.9 μ mol/J (380-780nm)
PPF Output	>30.4 μ mol/s
Power Input	100-277Vac
Input Frequency	50-60 Hz
Power Factor	>0.92
IP Rating	IP65
Dimensions	124 x 136mm
Weight	0.5 kg
Warranty	3 years
Certificate Pending	CE, ROHS

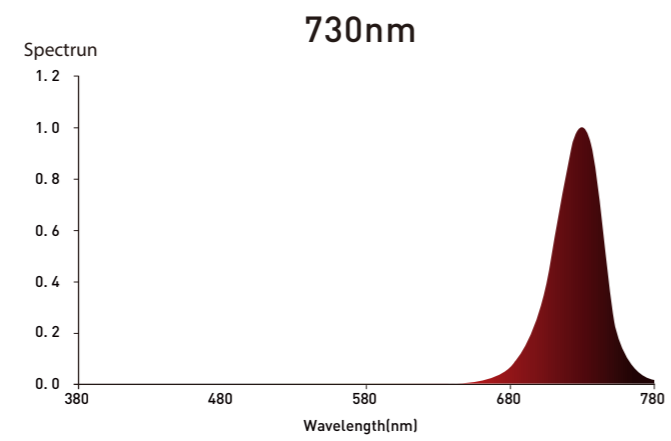
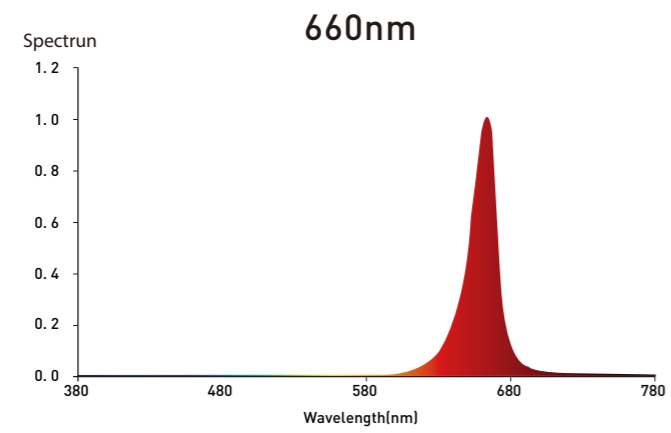
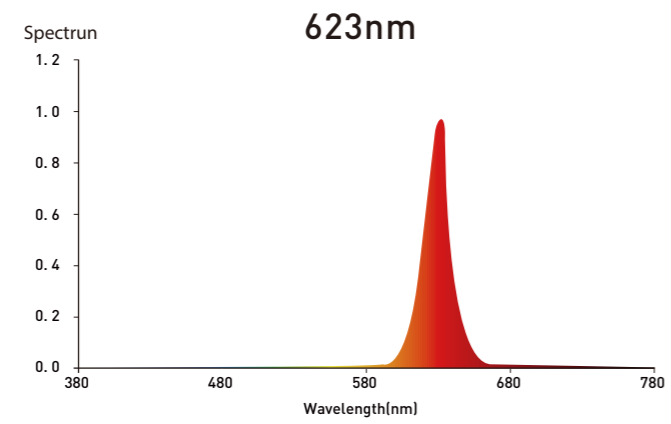
Dimension Drawing



Optimal Spectrum



Optimal Spectrum



Applications

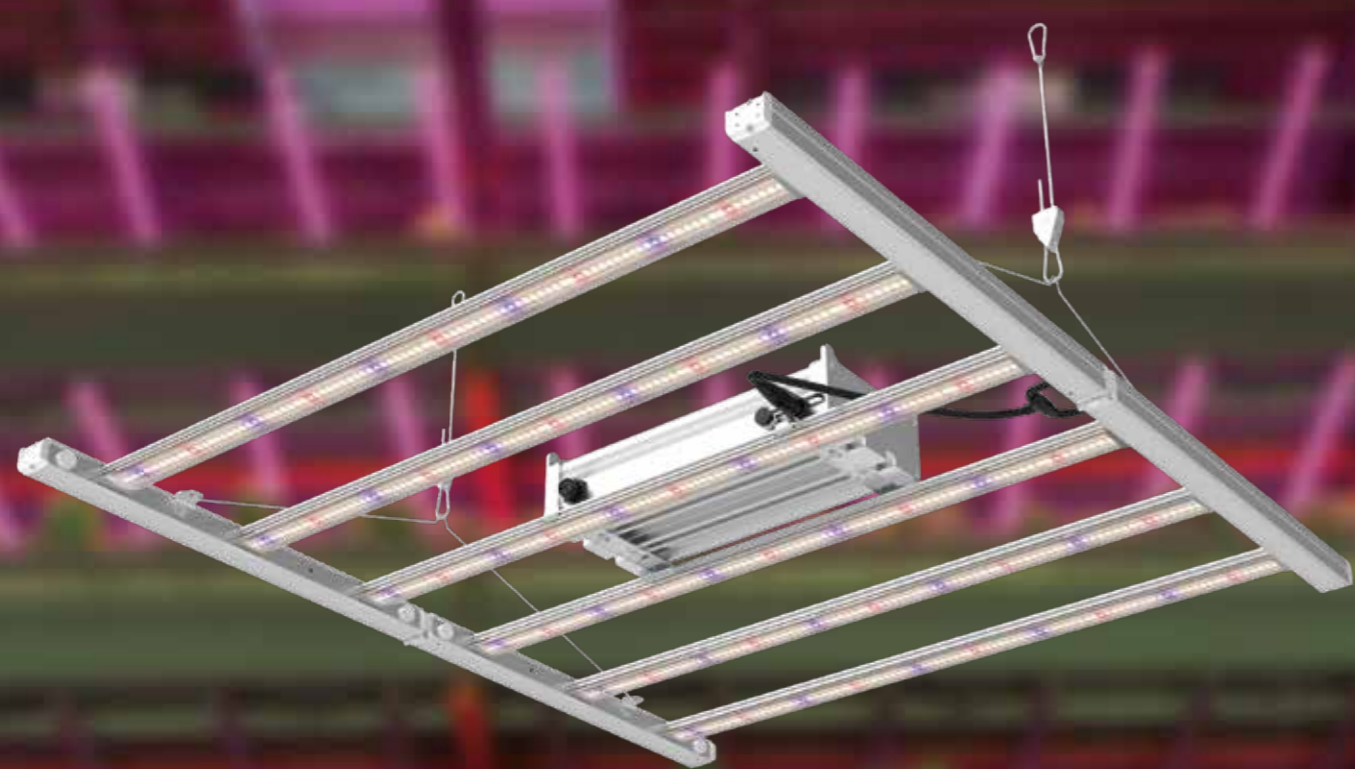




Cannabis

Cannabis is a plant for which light (or dark) is a necessary component for inducing flowering. Cannabis will flower only when days are short as the plant's chemical signal begins to accumulate. In nature, we see this happen during the fall. In a controlled production setting, grow lights can be used to manipulate this chemical signaling to better control crop growth rates, yield, and other characteristics.





Horti- Mars

Professional Horticulture Lighting Solution

Optimal solution for commercial vertical application growing cannabis



Key Features

- 600W
- Daisy-chained
- Optional spectrums for client to chose
- External driver, easy for maintainance and good for heat dissipation
- Foldable design easy installation and maintenance
- Two different installation ways to better fit in various growing environment

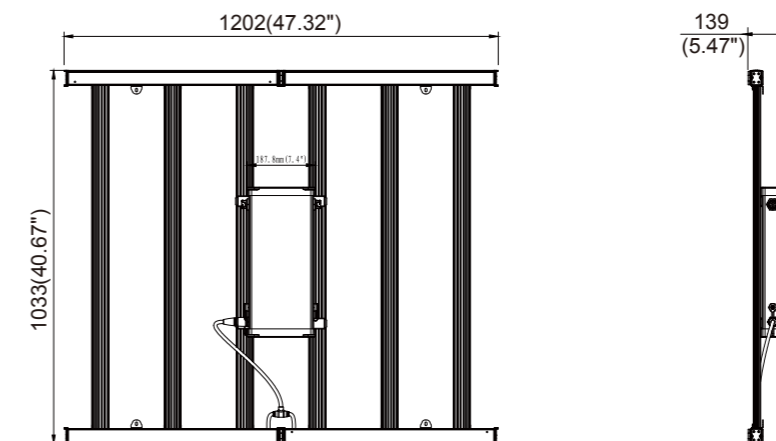
Description

Horti-Mars is a high-performance, full-cycle lighting solution for commercial horticulture cultivation, with the power to scale from vegetative growth to higher light intensities in bloom.

Technical Specification

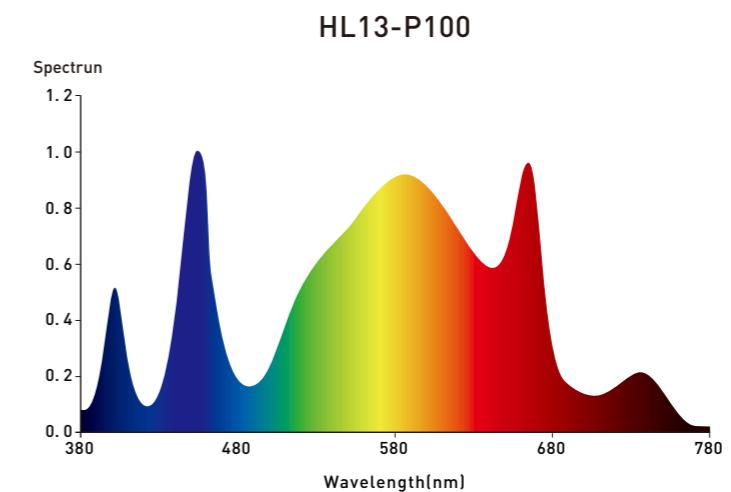
Item No	HL16-600
Power	600W
System Efficacy	2.0-2.5umol/J
PPF Output	1200-1500 umol/s
Power Input	100-277Vac
Input Frequency	50-60 Hz
Dimming	0~10V
IP Rating	IP65
Dimensions	1033 x 1202 x 139mm14.6 kg
Weight	11.5 kg
Warranty	5 years
Certificate Certification	CE , ROHS , ETL

Dimension Drawing



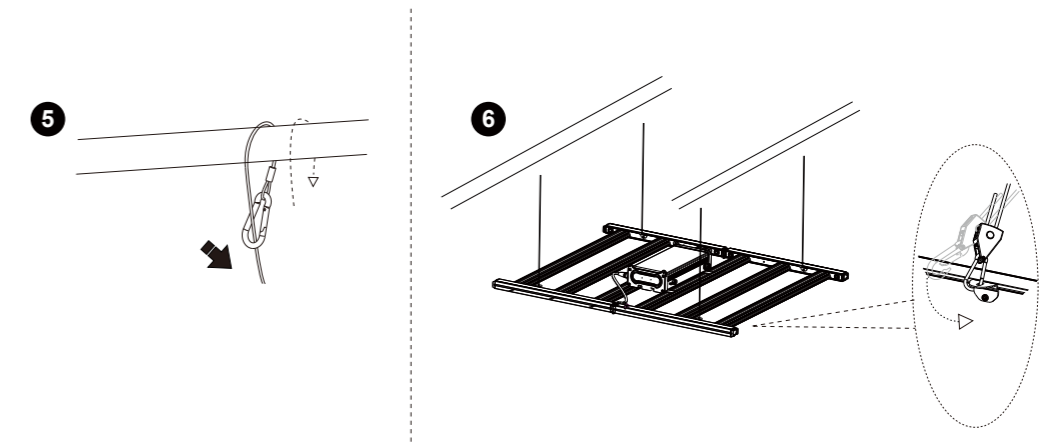
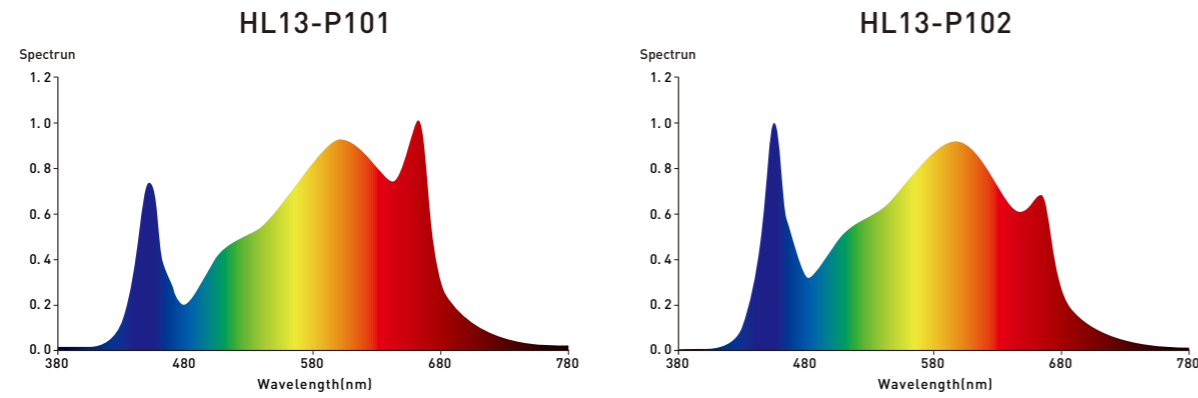
Optimal Spectrum

At the flowering stage of cannabis, using full spectrum flowering distribution promotes nutrient growing of cannabis plants, designed with an emphasis on the red and far red range to ensure the quality and quantity of flowering yields. With a peak wavelength of 400nm is designed to provide beneficial photomorphogenic responses by creating a mild stress response in plants. research shows increased THC content in cannabis plants.



Optional Spectrum

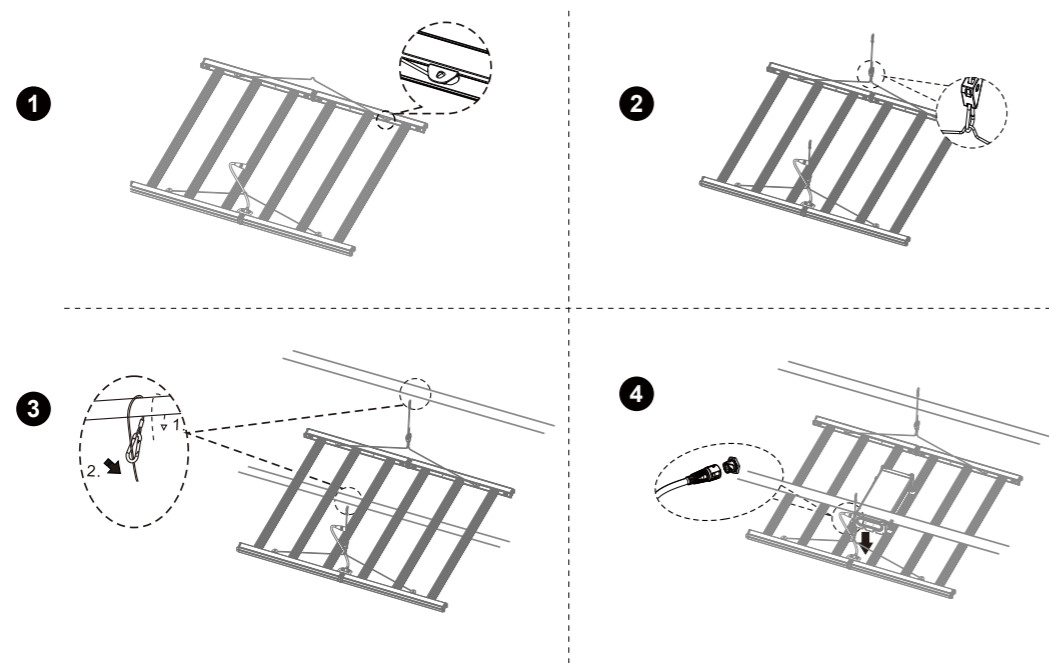
This enhanced full spectrum produces the fastest flowering for plant species grown indoors under artificial lighting. The spectrum most closely mimics the sun and can meet the needs of both high and low DLI crops.



Application



Installation Instructions



Accessories



Ratchet Hanger Pully Rope



Horti-Rey

Professional Horticulture Lighting Solution

Optimal solution for vertical application
growing cannabis



Key Features

- 600W / 800W , 2 powers for your choice
- Daisy-chained
- Easy to open driver box, it is convenient to maintain and replace
- IP65 waterproof solution

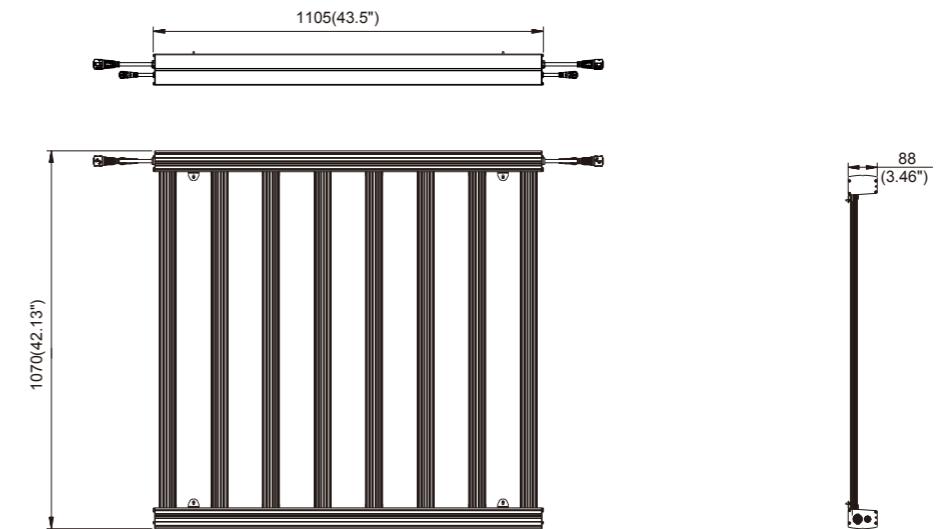
Description

IP65 Horti-Rey innovates the design with built-in driver and 8 light bars, make it easy installation. Which is designed for commercial horticulture cultivation, with the power to scale from vegetative growth to bloom.

Technical Specification

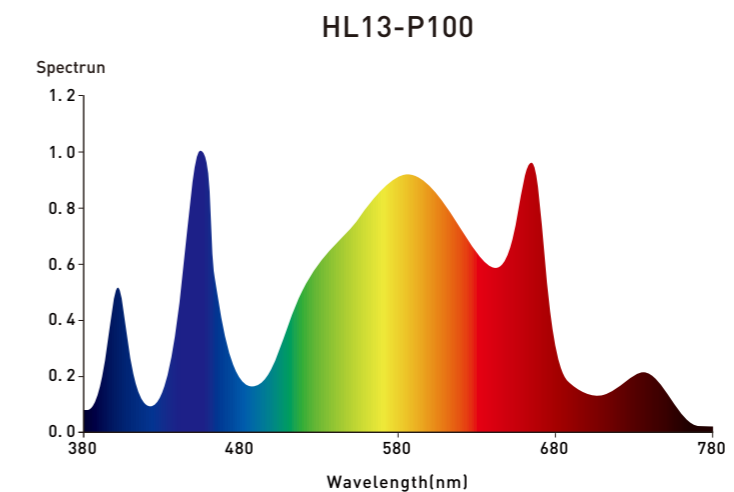
Item No	HL13-600	HL13-800
Power	600W	800W
System Efficacy	>2.0 μ mol/J , >2.5 μ mol/J	
PPF Output	>1200 μ mol/s , >1500 μ mol/s	>1600 μ mol/s , >2000 μ mol/s
Power Input	100-277Vac	
Input Frequency	50-60 Hz	
Power Factor	>0.98	
Dimming	0~10V	
IP Rating	IP65	
Dimensions	1063 x W 1070 x 88mm	
Weight	10.9 kg	
Warranty	5years	
Certificate Certification	CE , ROHS , ETL	

Dimension Drawing



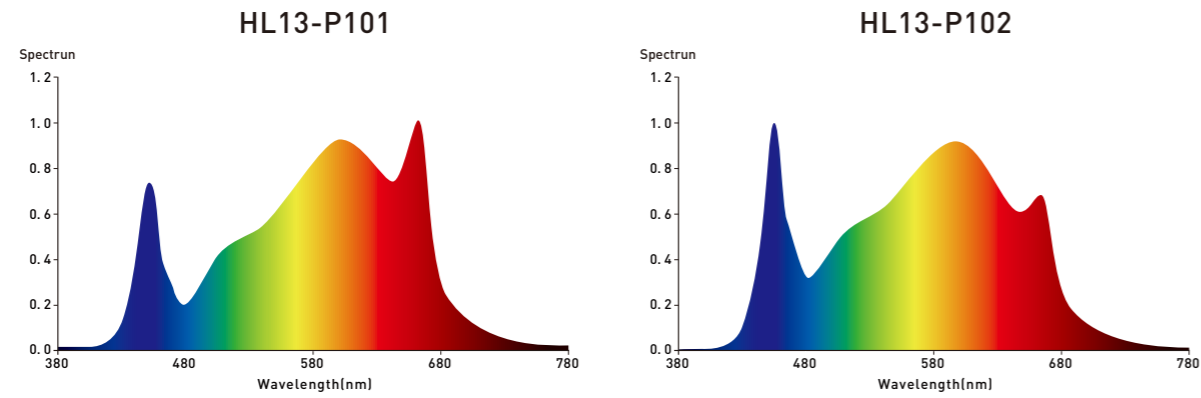
Optimal Spectrum

At the flowering stage of cannabis, using full spectrum flowering distribution promotes nutrient growing of cannabis plants, designed with an emphasis on the red and far red range to ensure the quality and quantity of flowering yields. With a peak wavelength of 400nm is designed to provide beneficial photomorphogenic responses by creating a mild stress response in plants. research shows increased THC content in cannabis plants.



Optional Spectrum

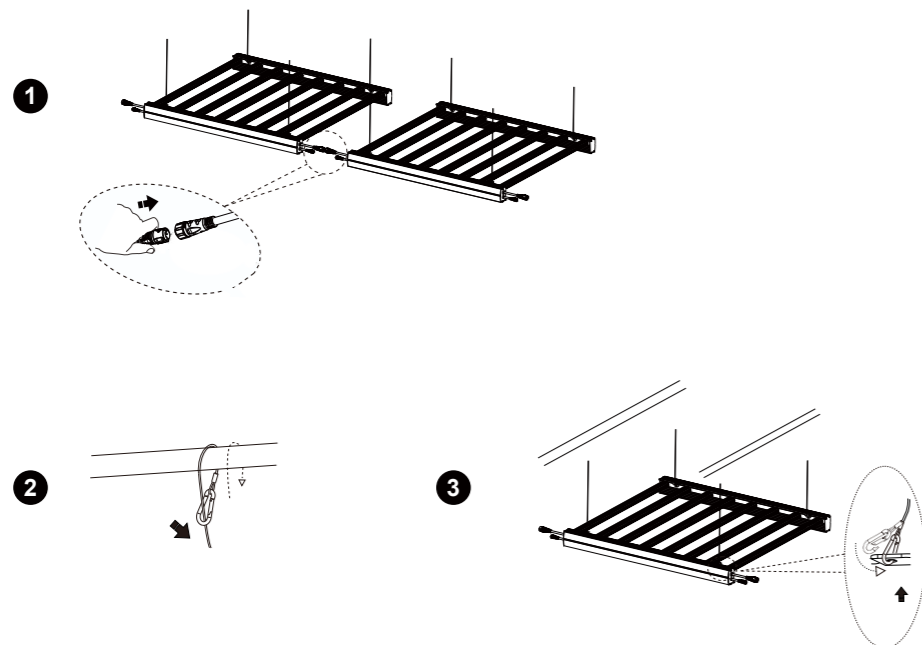
This enhanced full spectrum produces the fastest flowering for plant species grown indoors under artificial lighting. The spectrum most closely mimics the sun and can meet the needs of both high and low DLI crops.



Application

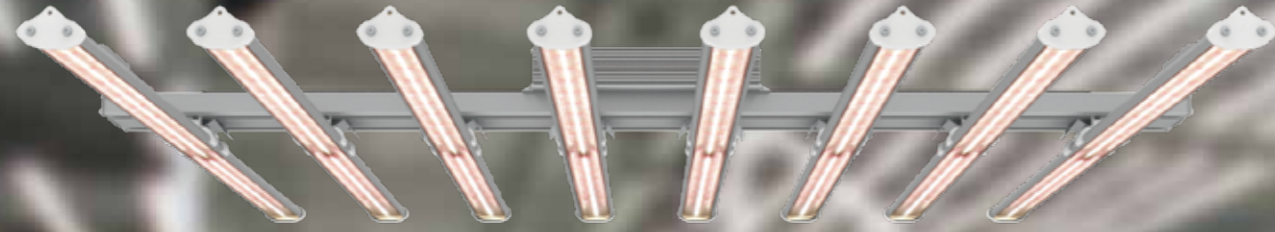


Installation Instructions



Accessories

Safety chain , EU/AU/US Plugs, Connected wires



Horti-Spec

Professional Horticulture Lighting Solution

Optimal Solution for Vertical Farms
Application Growing Cannabis



Key Features

- LED lighting solution for vertical rack growing cannabis
- High efficacy more than $2.3\mu\text{mol/j}$
- Inventronics driver + Nichia, Osram LEDs
- External driver for reliable and maintainable performance
- IP65 rating with 5 years warranty
- Clips design, it's safety and convenient to install
- Independent package for light bars, driver (together with bracket and clips). Cut the shipping cost

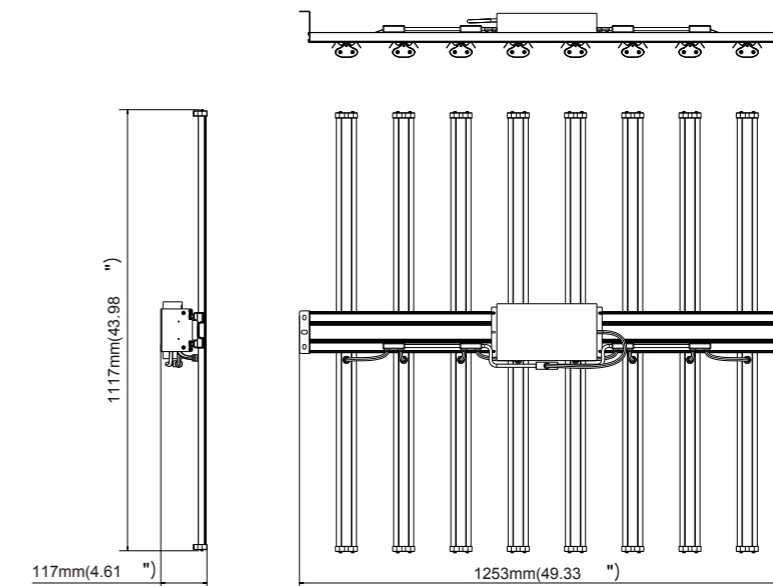
Description

Horti-Spec is a state-of-the-art vertical lighting solution for commercial horticulture cultivation, with the power to scale from seeding growth to vegetative. For optimal results, we recommend Horti spec deployed in environments with CO2 supplementation between 800-1400 ppm in reproductive growth stage due to high PPFD levels. Waterproof solution, it can support the hydroponics systems environment.

Specification

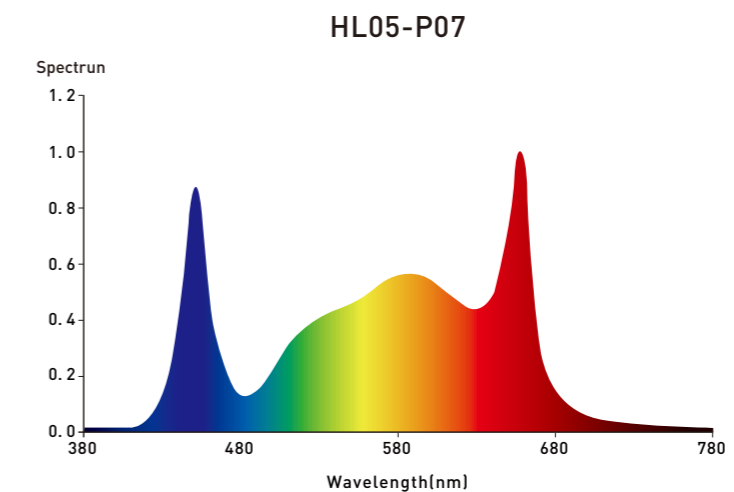
Item No	HL05-600
Power	600W
System Efficacy	>2.3 μ mol/J (400~700nm)
PPF Output	>1380 μ mol/s
Power Input	100-277Vac
Input Frequency	50-60 Hz
Power Factor	>0.98
Dimming	0~10V
IP Rating	IP65
Dimensions	1253 x 1117 x 116.7 mm
Weight	14.6 kg
Warranty	5 years
Certificate Certification	CE , ROHS

Dimension Drawing



Optimal Spectrum

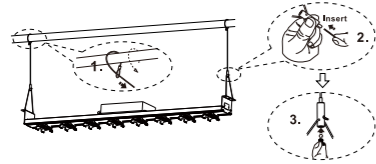
At the flowering stage of cannabis, using full spectrum flowering distribution promotes nutrient growing of cannabis plants, designed with an emphasis on the red and far red range to ensure the quality and quantity of flowering yields.



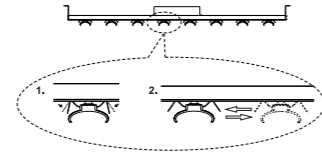
Installation Instructions

A. Wire Suspension Installation

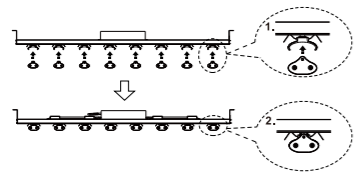
1



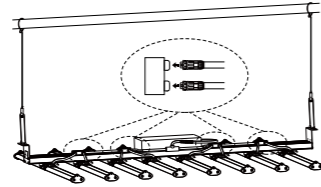
2



3

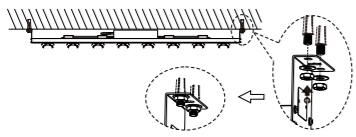


4

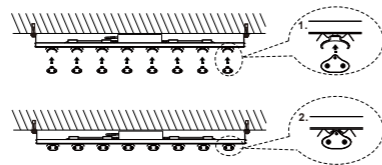


B. Ceiling Mount Installation

1

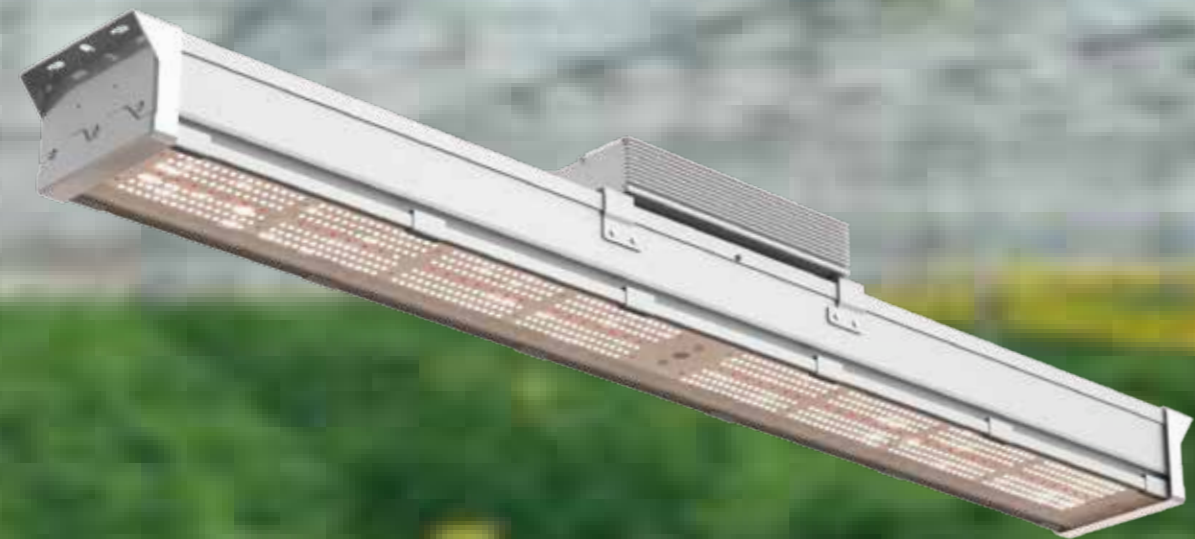


2



Case Study





Horti-King

Professional Horticulture Lighting Solution

Optimal Solution for Greenhouse
Application Growing Cannabis



Key Features

- High intensity, bar shaped fixtures
- King has a photosynthetic photon flux (PPF) up to 1270 $\mu\text{mol/s}$
- IP65 waterproof
- Horti king fixtures are suitable for installations where high light intensity and optimal uniformity is required
- All King models are dimmable with our light intensity Dimmer for precise control over PPFD, and offer the flexibility to instantly accommodate a new crop with varying light requirements

Description

Horti-King LED grow light is an ideal cannabis lighting, extrusion aluminum profile solution, make larger heat dissipation area, faster heat conduction. The optimal design of the number and length of fins enhances the natural convection intensity for the best heat dissipation. 0-10V dimming function, it can completely cut off when at the flowering stage to reach the optimal growth effect.

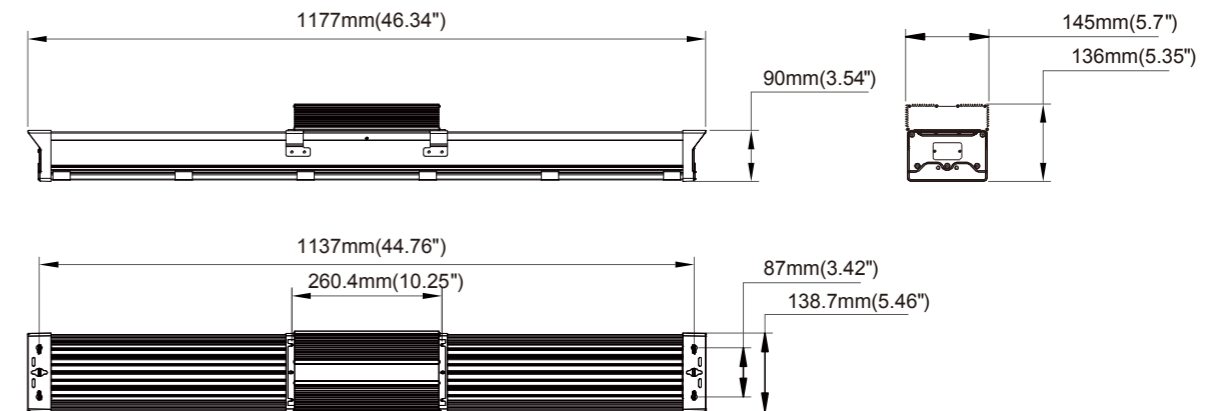
Specification

Item No	HL06-600
Power	600W
System Efficacy	>1.9 μ mol/J , 2.3 μ mol/J (400~700nm)
PPF Output	1140 μ mol/s, 1380 μ mol/s
Power Input	100-277Vac
Input Frequency	50-60 Hz
Power Factor	>0.95
Dimming	0~10V
IP Rating	IP65
Dimensions	1177 x 145 x 136 mm
Weight	11.6 kg
Warranty	5 years
Certificate Certification	CE , ROHS

Certification

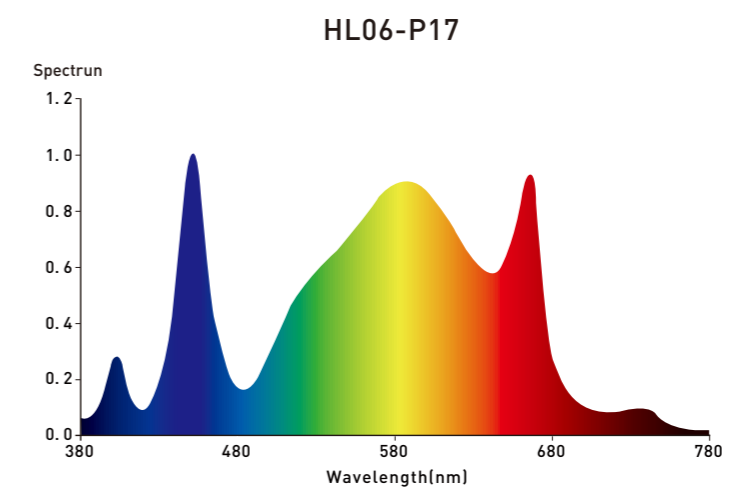


Dimension Drawing



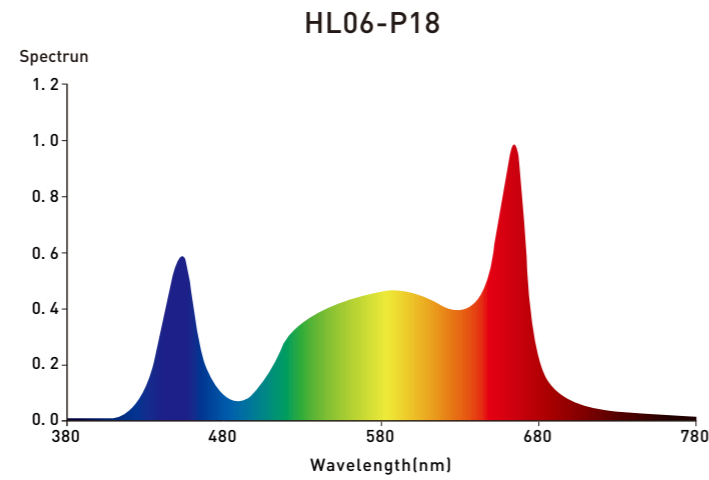
Optimal Spectrum

At the flowering stage of cannabis, using full spectrum flowering distribution promotes nutrient growing of cannabis plants, designed with an emphasis on the red and far red range to ensure the quality and quantity of flowering yields. With a peak wavelength of 400nm is designed to provide beneficial photomorphogenic responses by creating a mild stress response in plants. research shows increased THC content in cannabis plants.



Optimal Spectrum

This enhanced full spectrum produces the fastest flowering for plant species grown indoors under artificial lighting. The spectrum most closely mimics the sun and can meet the needs of both high and low DLI crops.



Available to customize spectrum, if you have your own ideas for the spectrum, please contact us to customize it, we can make it happen.

Installation Instructions

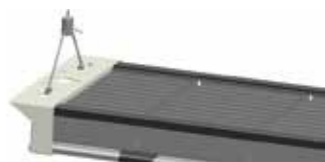
A Square Bracket



B Rectangle Bracket



C Safety line



D Surface mounted



Applications



Accessories

EU/AU/US plugs



Horti-Flag

Professional Horticulture Lighting Solution

Optimal solution for greenhouse application
growing cannabis



Key Features

- High quality setting, Samsung+Osram LEDs, Meanwell Driver
- Customized dimming interface matches trolmaster system
- Slim linear form factor design to reduce shadowing in greenhouse applications.
- The Horti-Flag light bar fixture also complements your existing operation with its own daisy chain power supply which supports a maximum of 4 units at 110V, 8 units at 220V.

Description

LED supplemental lighting is the key to consistent and gain high yields year-round. HPS did not provide the necessary spectrum and light levels. 300W Horti-Flag is a great equivalent replacement for 630W traditional grow lights.

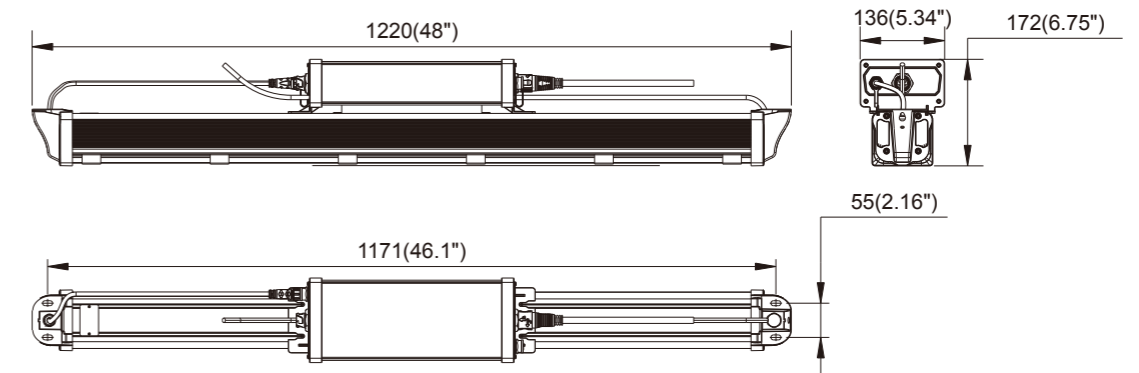
Specification

Item No	HL12-300
Power	300W
System Efficacy	>2.0 μ mol/J , >2.3 μ mol/J
PPF Output	>600 μ mol/s , >690 μ mol/s
Power Input	100-277Vac
Input Frequency	50-60 Hz
Power Factor	>0.98
Dimming	1~10V
IP Rating	IP65
Dimensions	1220*136*171.5mm
Weight	8.56 kg
Warranty	5years
Certificate Certification	CE , ROHS

Certification

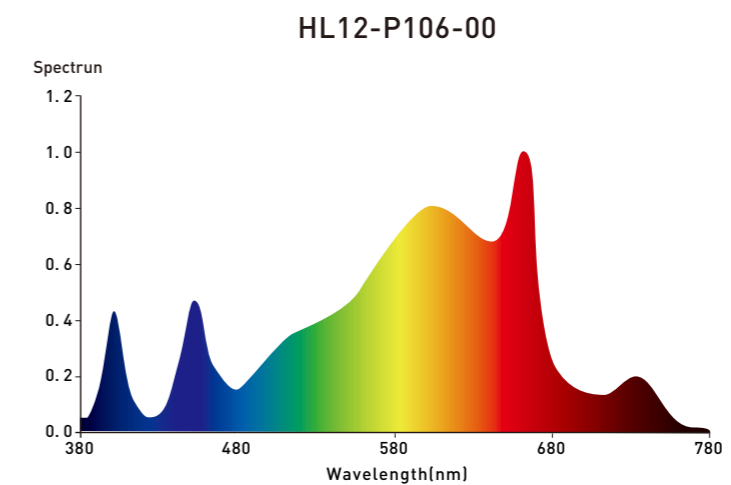


Dimension Drawing



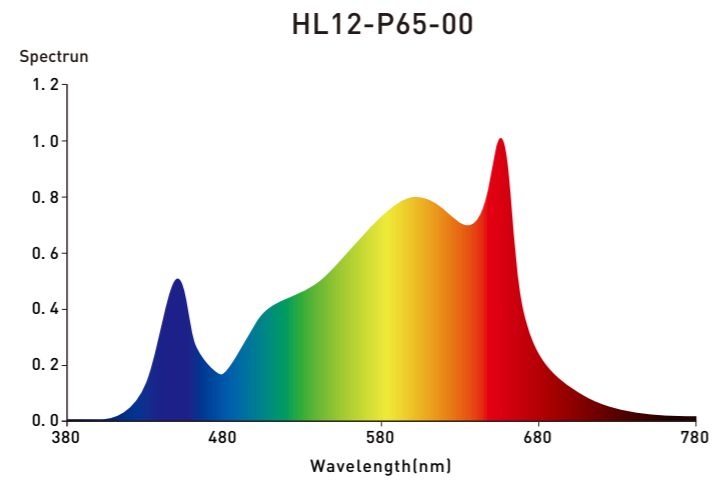
Optimal Spectrum

At the flowering stage of cannabis, using full spectrum flowering distribution promotes nutrient growing of cannabis plants, designed with an emphasis on the red and far red range to ensure the quality and quantity of flowering yields. With a peak wavelength of 400nm is designed to provide beneficial photomorphogenic responses by creating a mild stress response in plants. research shows increased THC content in cannabis plants.



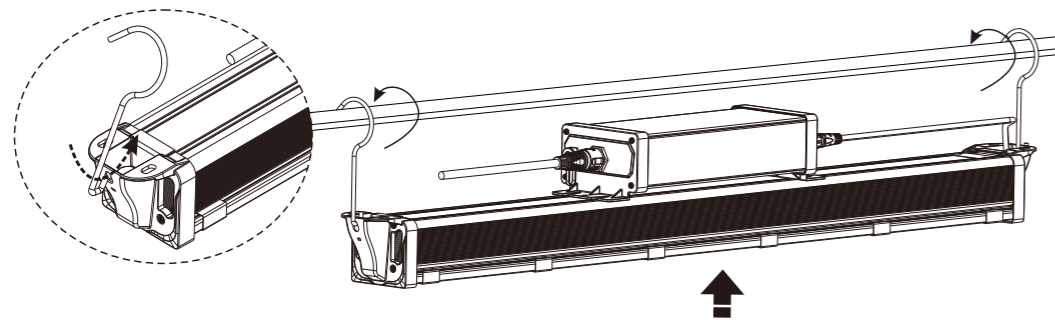
Optimal Spectrum

This enhanced full spectrum produces the fastest flowering for plant species grown indoors under artificial lighting. The spectrum most closely mimics the sun and can meet the needs of both high and low DLI crops.

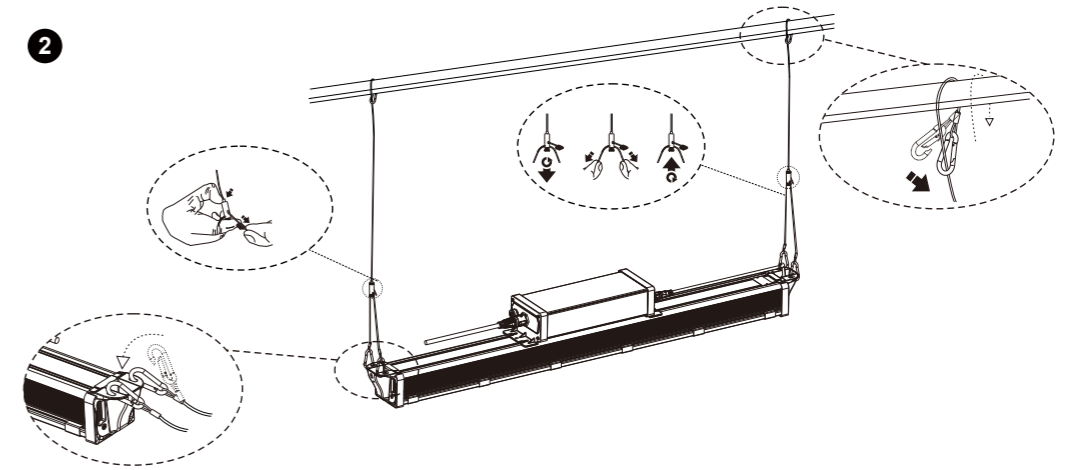


Installation Instructions

1



2



Applications



Accessories

Safety chain , EU/AU/US Plugs, Connected wires



Horti-UV

Professional Horticulture Lighting Solution

The first LED UV grow light for growing cannabis



Key Features

- First LED UV Grow Light in China
- Seoul Viosys made in USA, it is world-class technology and patents for top performance.
- UV Test Machine:Everfine PMS-2000, can test from 200nm-800nm
- IP65 waterproof solution
- Daisy chain

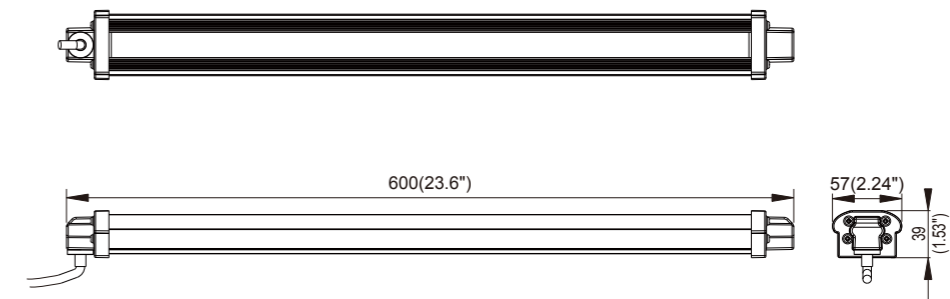
Description

Horti-UV LED fixtures provides much-needed UV wavelengths that have been proven to stimulate trichome production, leading to a substantial increase in terpene levels and potency.

Specification

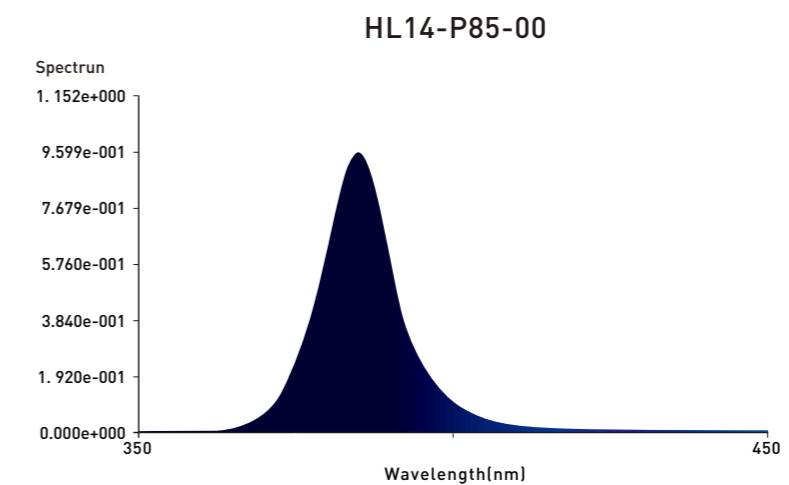
Item No	HL14-30
Power	30W
Wavelength	385nm, 365nm
Flux Power	14.5mW
Power Input	100-277Vac
Input Frequency	50-60 Hz
Power Factor	>0.98
Dimming	No
IP Rating	IP65
Dimensions	620x80x808mm
Weight	1 kg
Lifetime	35000 hours
Certificate	FCC , ETL

Dimension Drawing



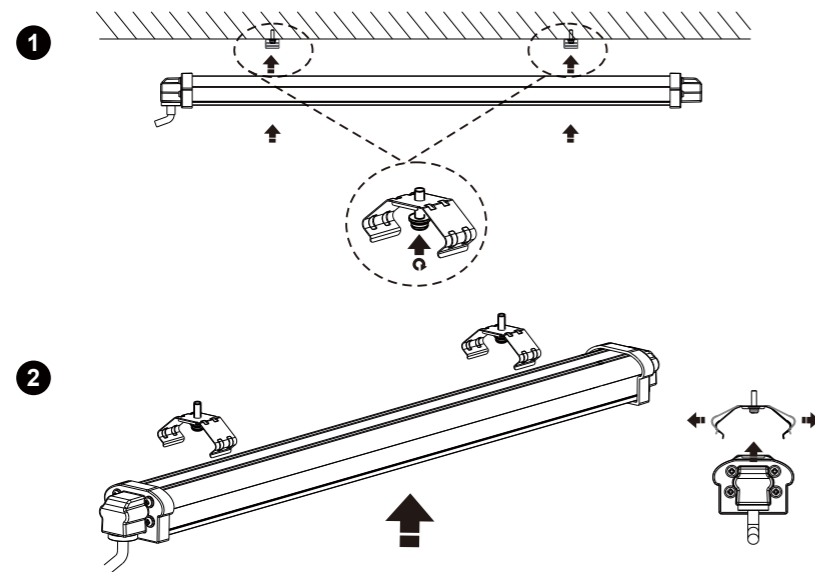
Optimal Spectrum

Ultraviolet light causes the production of resin, and with it THC and CBD, in order to protect the marijuana plant from harmful UV rays. Thus, adding UV light to LED grow lights results in an increase in THC in the resulting buds.

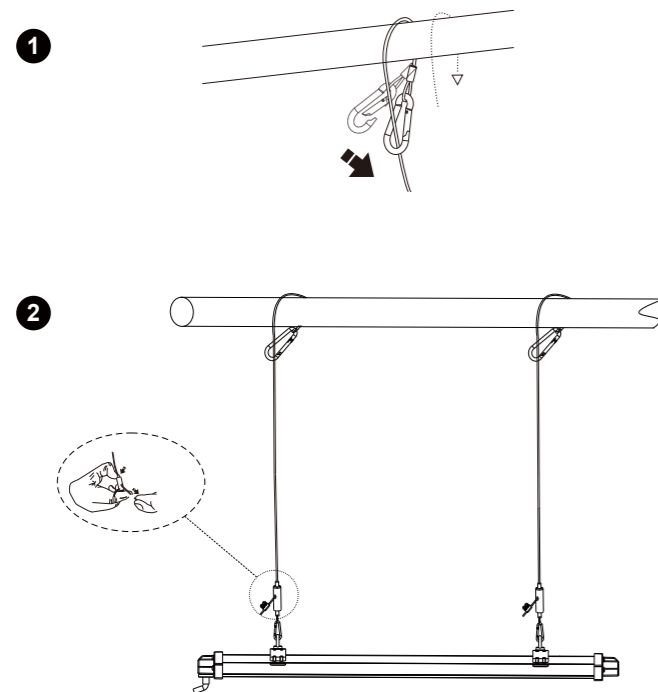


Installation Instructions

A. Ceiling installation



B. Hanging installation



Applications



Accessories

Safety chain , EU/AU/US Plugs, Connected wires



Horti-Far

Professional Horticulture Lighting Solution

**Optimal Solution for Indoor Farms And Grow
Tents Application Growing Cannabis**



Key Features

- Top version LED grow light for indoor farm and grow tents growing cannabis
- High efficacy more than $2.3\mu\text{mol/J}$
- Cold-forged heat sink with good heat dissipation
- Replace existing 1000-2000W HPS
- IP65 rating with 5 years warranty

Description

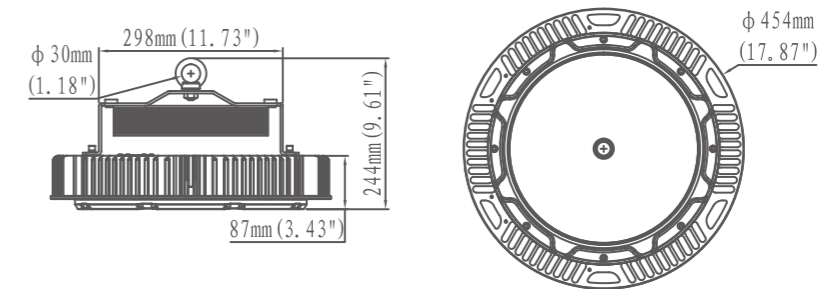
This light replaces 1000W-1200W dual-ended bulbs (both MH HPS). It can be used for both vegetative and flower growth. The nationwide compliant Horti Far LED grow light coverage area includes 25 sq ft in flower (5×5 ft) and over 64 sq ft in vegetation (8×8 ft).

Horti Far led grow light provides more square feet of coverage than any other LED grow light in the market with proven results and is safety certified and IP65 rated. With a rugged waterproof housing, the Horti Far LED grow light is fit for use in wet and humid conditions. The Horti Far led grow light is 82% brighter than the 400+ with only 34% more watts consumed, which is less heat than most competitors. The Horti far also saves over 43.5% on energy when compared to dual-ended 1000-1200 watt HPS bulbs. The Horti Far led grow light comes with or without reflector. You can choose to add a manual dimmer, which enables turning the power down to as low as 10% power for more control. The Horti Far grow light also comes with a dual warranty and is guaranteed to maintain 90% or better light output for 3 years with regular use plus a 5 years mechanical warranty on all parts and labor.

Specification

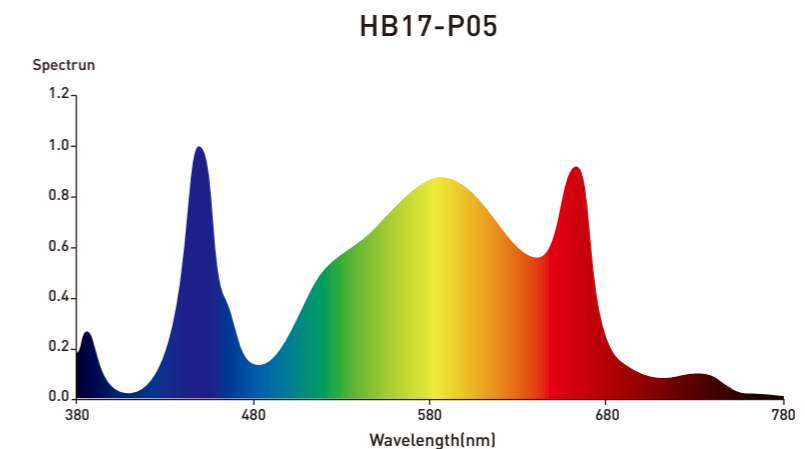
Item No	HB17-600
Power	600W
System Efficacy	>2.0 μ mol/J , 2.3 μ mol/J (400~700nm)
PPF Output	1140 μ mol/s, 1380 μ mol/s
Power Input	100-277Vac
Input Frequency	50-60 Hz
Power Factor	>0.95
Dimming	0~10V
IP Rating	IP65
Dimensions	454 x 298 mm
Weight	12 kg
Warranty	5 years
Certificate Certification	CE , ROHS

Dimension Drawing



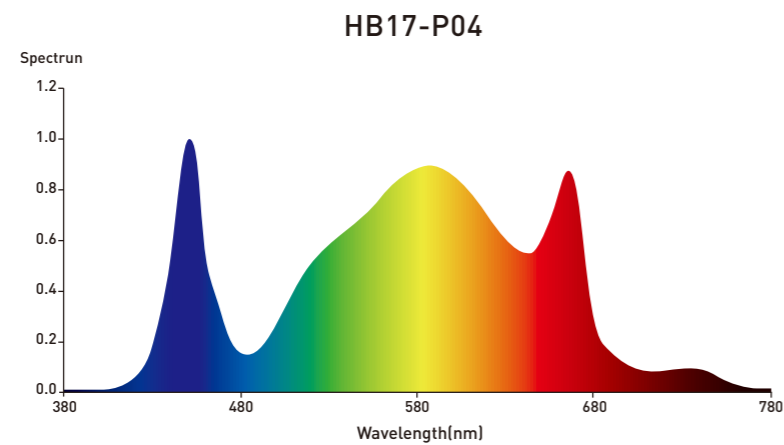
Optimal Spectrum

At the flowering stage of cannabis, using full spectrum flowering distribution promotes nutrient growing of cannabis plants, designed with an emphasis on the red and far red range to ensure the quality and quantity of flowering yields. With a peak wavelength of 400nm is designed to provide beneficial photomorphogenic responses by creating a mild stress response in plants. research shows increased THC content in cannabis plants.

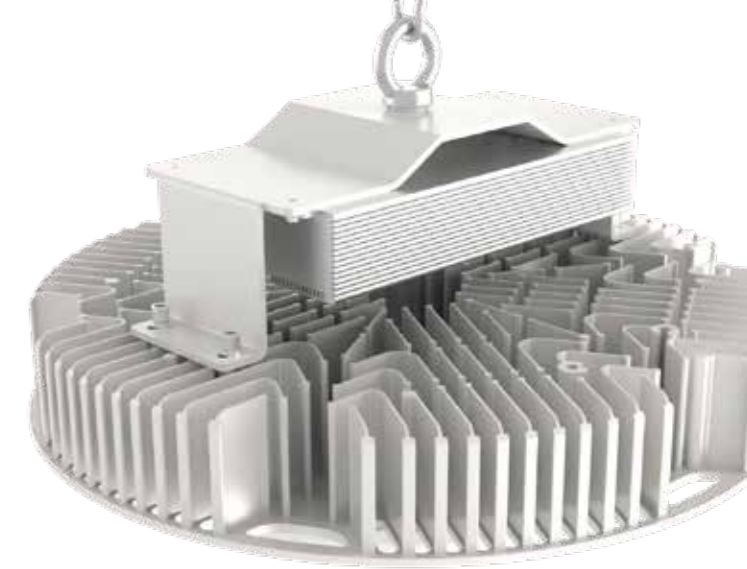
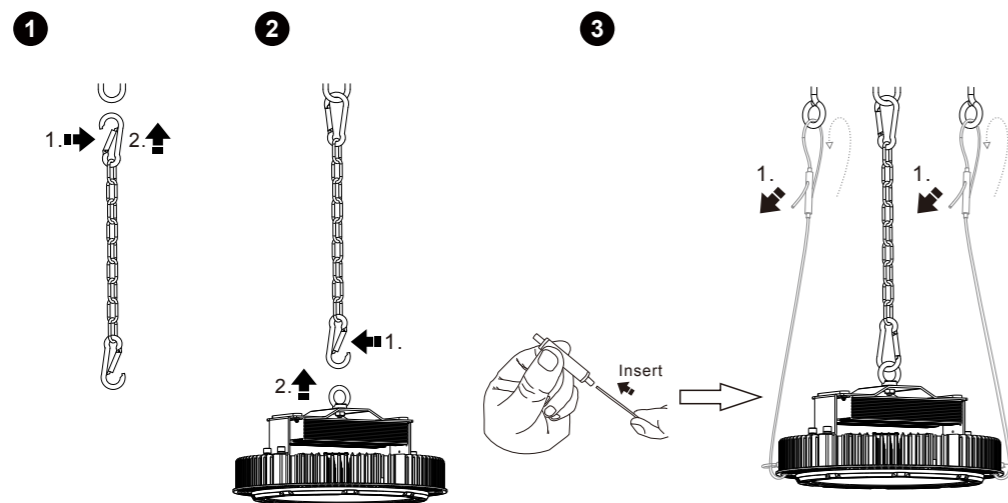


Optional Spectrum

This enhanced full spectrum produces the fastest flowering for plant species grown indoors under artificial lighting. The spectrum most closely mimics the sun and can meet the needs of both high and low DLI crops.



Installation Instructions



Case Study



Accessories

Safety chain , EU/AU/US Plugs